

CMAB-CMAT Series



CONTINUOUS OPERATION

Range of single inlet direct drive centrifugal fans designed for the continuous extraction of air stream up to 80°C.

Casings are manufactured from one piece cast aluminium with a tough grey colour, epoxy paint coating.

All models incorporate forward curved centrifugal impellers manufactured from galvanized sheet steel and a protection guard mounted at the fan inlet.

Available, depending upon the model, with single or three phase 2 pole motors.

Motors

All motors are direct drive 2 poles, IP55 and class F.

Electrical supply:

Single phase 230V-50Hz.

Three phase 230/400V-50Hz or 400V-50Hz (5,5 kW motor).

Additional Information

Models 200, 225 and 250 are supplied with a support.

Standard supplied position: LG 270.

On request

Fan fitted with 2-speed motor 2/4 poles.

Motor with PTC thermal protector.

High efficiency motors (EFF1).

APPLICATIONS



Industrial aspiration machinery



CONTINUOUS OPERATION

Technical characteristics

Before installation check that product electrical characteristics listed on the data plate label (Voltage, power, frequency etc) match those of the intended electrical supply. Explosion proof of types only work at an ambient temperature between -30°C and +40°C.

Model	Speed (r.p.m.)	Motor power (kW)	Maximum absorbed current (A)		Maximum airflow (m ³ /h)	Sound pressure level (dB(A))	Weight (kg)
			230V	400V			
CMAB/2-108/42	2800	0,03	0,40		190	59	3,9
CMAT/2-108/42	2800	0,05	0,37	0,25	190	59	3,5
CMAB/2-133/62	2800	0,18	1,75		685	69	6,6
CMAT/2-133/62	2800	0,18	1,07	0,55	685	69	6,2
CMAB/2-146/62	2800	0,25	1,93		780	70	6,5
CMAT/2-146/62	2800	0,25	1,27	0,80	780	70	6,5
CMAB/2-160/75	2820	0,37	2,90		1130	71	9,0
CMAT/2-160/75	2820	0,37	1,76	1,02	1130	71	7,5
CMAB/2-180/62	2820	0,55	4,00		1200	77	10,0
CMAT/2-180/62	2820	0,55	2,35	1,35	1200	77	8,0
CMAB/2-180/85	2820	1,1	7,00		2300	79	10,0
CMAT/2-180/85	2820	1,1	4,40	2,50	2300	79	10,0
CMAB/2-200/74	2820	1,5	10,00		2660	80	22,0
CMAT/2-200/74	2820	1,5	5,70	3,30	2660	80	22,0
CMAT/2-200/104	2820	2,2	8,40	4,60	2920	82	28,0
CMAT/2-225/104	2900	3	11,40	6,50	3730	88	31,0
CMAT/2-250/114	2900	5,5		11,60	5730	92	58,0



Acoustic characteristics

Sound power level in dB(A) at the corresponding frequency band in Hz.

CMAB-108/42 0,03kW 230V50		63	125	250	500	1000	2000	4000	8000	Total sound power
INLET	B	46	54	59	62	60	63	60	58	69
	M	44	52	61	62	61	61	60	56	69
	H	47	53	60	63	64	64	63	59	71
DISCHARGE	B	47	53	57	64	70	67	62	61	74
	M	44	52	57	63	67	65	59	56	71
	H	33	55	61	76	67	60	56	49	77

CMAB-108/42 0,05kW 230/400V50		63	125	250	500	1000	2000	4000	8000	Total sound power
INLET	B	46	54	59	62	60	63	60	58	69
	M	44	52	61	62	61	61	60	56	69
	H	47	53	60	63	64	64	63	59	71
DISCHARGE	B	47	53	57	64	70	67	62	61	74
	M	44	52	57	63	67	65	59	56	71
	H	33	55	61	76	67	60	56	49	77

CMAB-133/62 0,18kW 230V50		63	125	250	500	1000	2000	4000	8000	Total sound power
INLET	B	53	61	66	69	67	70	67	65	75
	M	51	59	68	69	68	68	67	63	75
	H	54	60	67	70	71	71	70	66	77
DISCHARGE	B	54	60	64	71	77	74	69	68	80
	M	51	59	64	70	74	72	66	63	78
	H	40	62	68	83	74	67	63	56	84

CMAB-133/62 0,18kW 230/400V50		63	125	250	500	1000	2000	4000	8000	Total sound power
INLET	B	53	61	66	69	67	70	67	65	75
	M	51	59	68	69	68	68	67	63	75
	H	54	60	67	70	71	71	70	66	77
DISCHARGE	B	54	60	64	71	77	74	69	68	80
	M	51	59	64	70	74	72	66	63	78
	H	40	62	68	83	74	67	63	56	84

CMAB-146/62 0,25kW 230V50		63	125	250	500	1000	2000	4000	8000	Total sound power
INLET	B	56	64	69	72	70	73	70	68	78
	M	54	62	71	72	71	71	70	66	78
	H	57	63	70	73	74	74	73	69	80
DISCHARGE	B	57	63	67	74	80	77	72	71	83
	M	54	62	67	73	77	75	69	66	80
	H	43	65	71	86	77	70	66	59	86

CMAB-146/62 0,25kW 230/400V50		63	125	250	500	1000	2000	4000	8000	Total sound power
INLET	B	56	64	69	72	70	73	70	68	78
	M	54	62	71	72	71	71	70	66	78
	H	57	63	70	73	74	74	73	69	80
DISCHARGE	B	57	63	67	74	80	77	72	71	83
	M	54	62	67	73	77	75	69	66	80
	H	43	65	71	86	77	70	66	59	86

CMAB-160/75 0,37kW 230V50		63	125	250	500	1000	2000	4000	8000	Total sound power
INLET	B	49	57	62	65	63	66	63	61	72
	M	47	55	64	65	64	64	63	59	72
	H	50	56	63	66	67	67	66	62	74
DISCHARGE	B	50	56	60	67	73	70	65	64	76
	M	47	55	60	66	70	68	62	59	74
	H	36	58	64	79	70	63	59	52	80

CMAT-160/75 0,37kW 230/400V50		63	125	250	500	1000	2000	4000	8000	Total sound power
INLET	B	49	57	62	65	63	66	63	61	72
	M	47	55	64	65	64	64	63	59	72
	H	50	56	63	66	67	67	66	62	74
DISCHARGE	B	50	56	60	67	73	70	65	64	76
	M	47	55	60	66	70	68	62	59	74
	H	36	58	64	79	70	63	59	52	80

CMAB-180/62 0,55kW 230V50		63	125	250	500	1000	2000	4000	8000	Total sound power
INLET	B	62	70	75	78	76	79	76	74	85
	M	60	68	77	78	77	77	76	72	84
	H	63	69	76	79	80	80	79	75	86
DISCHARGE	B	63	69	73	80	86	83	78	77	89
	M	60	68	73	79	83	81	75	72	87
	H	49	71	77	92	83	76	72	65	93

CMAT-180/62 0,55kW 230/400V50		63	125	250	500	1000	2000	4000	8000	Total sound power
INLET	B	62	70	75	78	76	79	76	74	85
	M	60	68	77	78	77	77	76	72	84
	H	63	69	76	79	80	80	79	75	86
DISCHARGE	B	63	69	73	80	86	83	78	77	89
	M	60	68	73	79	83	81	75	72	87
	H	49	71	77	92	83	76	72	65	93

CMAB-180/85 1,1kW 230V50		63	125	250	500	1000	2000	4000	8000	Total sound power
INLET	B	62	70	75	78	76	79	76	74	85
	M	60	68	77	78	77	77	76	72	84
	H	63	69	76	79	80	80	79	75	86
DISCHARGE	B	63	69	73	80	86	83	78	77	89
	M	60	68	73	79	83	81	75	72	87
	H	49	71	77	92	83	76	72	65	93

CMAT-180/85 1,1kW 230/400V50		63	125	250	500	1000	2000	4000	8000	Total sound power
INLET	B	62	70	75	78	76	79	76	74	85
	M	60	68	77	78	77	77	76	72	84
	H	63	69	76	79	80	80	79	75	86
DISCHARGE	B	63	69	73	80	86	83	78	77	89
	M	60	68	73	79	83	81	75	72	87
	H	49	71	77	92	83	76	72	65	93

CMAB-200/74 1,5kW 230V50		63	125	250	500	1000	2000	4000	8000	Total sound power
INLET	B	65	73	78	81	79	82	79	77	88
	M	63	71	80	81	80	80	79	75	88
	H	66	72	79	82	83	83	82	78	90
DISCHARGE	B	66	72	76	83	89	86	81	80	92
	M	63	71	76	82	86	84	78	75	90
	H	52	74	80	95	86	79	75	68	96

CMAT-200/74 1,5kW 230/400V50		63	125	250	500	1000	2000	4000	8000	Total sound power
INLET	B	65	73	78	81	79	82	79	77	88
	M	63	71	80	81	80	80	79	75	88
	H	66	72	79	82	83	83	82	78	90
DISCHARGE	B	66	72	76	83	89	86	81	80	92
	M	63	71	76	82	86	84	78	75	90
	H	52	74	80	95	86	79	75	68	96

CMAB-200/74 1,5kW 230/400V50		63	125	250	500	1000	2000	4000	8000	Total sound power
INLET	B	65	73	78	81	79	82	79	77	88
	M	63	71	80	81	80	80	79	75	88
	H	66	72	79	82	83	83	82	78	90
DISCHARGE	B	66	72	76	83	89	86	81	80	92
	M	63	71	76	82	86	84	78	75	90
	H	52	74	80	95	86	79	75	68	96

CMAT-200/74 1,5kW 230/400V50		63	125	250	500	1000	2000	4000	8000	Total sound power
INLET	B	65	73	78	81	79	82	79	77	88
	M	63	71	80	81	80	80	79	75	88
	H	66	72	79	82	83	83	82	78	90
DISCHARGE	B	66	72	76	83	89	86	81	80	92
	M	63	71	76	82	86	84	78	75	90
	H	52	74	80	95	86	79	75	68	96

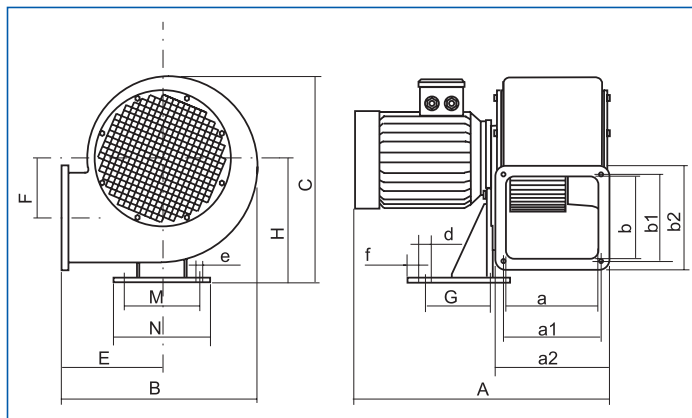
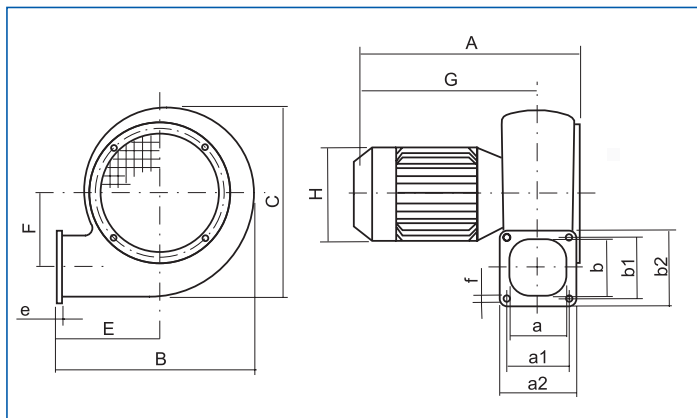
CMAT-215/102 2,2kW 230/400V50		63	125	250	500	1000	2000	4000	8000	Total sound power
INLET	B	67	75	80	83	81	84	81	79	90
	M	65	73	82	83	82	82	81	77	90
	H	68	74	81	84	85	85	84	80	92
DISCHARGE	B	68	74	78	85	91	88	83	82	95
	M	65	73	78	84	88	86	80	77	92
	H	54	76	82	97	88	81	77	70	98

CMAT-215/102 2,2kW 230/400V50		63	125	250	500	1000	2000	4000	8000	Total sound power
INLET	B	67	75	80	83	81	84	81	79	90
	M	65	73	82	83	82	82	81	77	90
	H	68	74	81	84	85	85	84	80	92
DISCHARGE	B	68	74	78	85	91	88	83	82	95
	M	65	73	78	84	88	86	80	77	92
	H	54	76	82	97	88	81	77	70	98

CMAB-225/104 3kW 230/400V50		63	125	250	500	1000	2000	4000	8000	Total sound power
INLET	B	69	77	82	85	83	86	83	81	91
	M	67	75	84	85	84	84	83	79	91
	H	70	76	83	86	87	87	86	82	93
DISCHARGE	B	70	76	80	87	93	90	85	84	96
	M	67	75	80	86	90	88	82	79	94
	H	56	78	84	99	90	83	79	72	100

CMAT-225/104 3kW 230/400V50		63	125	250	500	1000	2000	4000	8000	Total sound power
INLET										

■ Dimensions (mm)



Model	A	B	C	E	F	G	H	a	a1	a2	b	b1	b2	e	f
108/42	202	181	172	95	67	160	118	52	56	72	52	56	72	5	7
133/62	298	251	241	130	85	243	118	86	96	112	86	96	112	8	9
146/62	298	251	241	130	85	243	118	86	96	112	86	96	112	8	9
160/75	303	261	297	123	102	252	118	86	110	125	110	120	145	9	7
180/62	324	261	297	123	102	272	141	86	110	125	110	120	145	9	7
180/85	324	261	297	123	102	272	141	86	110	125	110	120	145	9	7

Model	A	B	C	E	F	G	H	M	N	a	a1	a2	b	b1	b2	d	e	f
200/74	390	326	390	140	143	120	230	140	180	125	130	155	125	130	155	24	12	22
200/104	477	385	448	170	165	120	265	140	180	155	165	190	155	165	190	24	12	22
225/104	477	385	448	170	165	120	265	140	180	155	165	190	155	165	190	24	12	22
250/114	535	457	500	220	238	224	270	170	196	220	170	196	220	13	26	16	16	16

■ Performance curves

- Fan ducted on both inlet and outlet sides.
- Air volume in m³/h and m³/s.
- Static pressure in mmWG and Pa.

