

# CBAB-CBAT Series



CONTINUOUS OPERATION

Range of single inlet direct drive centrifugal fans designed for continuous extraction of air stream up to 80°C.

Casings are manufactured from one piece cast aluminium with a tough grey colour, epoxy paint coating.

All models incorporate backward curved centrifugal impellers manufactured from aluminium sheet and a protection guard mounted at the fan inlet.

Available, depending upon the model, with single or three phase 2 pole motors.

### Motors

All motors are **IP55, class F**.

Electrical supply:

Single-phase 230V-50Hz

Three-phase 400V-50Hz

### Additional Information

Standard supplied position: LG 270.

### On request

- Fan supplied in RD position.
- Fan fitted with 2-speed motor 2/4 poles.
- Motor with PTC thermal protection.
- High efficiency motors (EFF1).

## APPLICATIONS



Industrial aspiration machinery



Graphic industries machinery



Slot machines



CONTINUOUS OPERATION

## POSITIONS

	0°	45°	90°	135°	180°	225°	270°	315°
LG								
RD								

Standard supplied position: LG270.  
Special versions are supplied on request.

## Technical characteristics

Before installation check that product electrical characteristics listed on the data plate label (Voltage, power, frequency etc) match those of the intended electrical supply. Explosion proof of types only work at an ambient temperature between -30°C and +40°C.

Model	Speed (r.p.m.)	Motor power (kW)	Maximum absorbed current (A)		Weight (kg)
			230V	400V	
CBAB-100	2820	0,55	3,80		16,5
CBAT-100	2800	0,55		1,40	15,0
CBAB-125	2860	1,5	9,50		25,0
CBAT-125	2860	1,5		3,40	23,0
CBAT-160	2860	2,2		4,60	42,0
CBAT-160 S	2900	3		6,50	60,0
CBAT-180	2900	11		20,20	83,0

## Acoustic characteristics

Sound power level in dB(A) at the corresponding frequency band in Hz.

CBAB-100 0,55KW 230/400V50		63	125	250	500	1000	2000	4000	8000	Total sound power
INLET	B	54	69	74	86	86	83	81	83	91
	M	51	66	69	79	80	77	78	69	84
	H	48	65	63	74	75	71	69	60	79
DISCHARGE	B	54	72	83	93	92	85	83	80	96
	M	51	68	79	89	86	80	78	70	91
	H	45	67	73	88	79	72	68	61	88

CBAT-100 0,55KW 230V50		63	125	250	500	1000	2000	4000	8000	Total sound power
INLET	B	54	69	74	86	86	83	81	83	91
	M	51	66	69	79	80	77	78	69	84
	H	48	65	63	74	75	71	69	60	79
DISCHARGE	B	54	72	83	93	92	85	83	80	96
	M	51	68	79	89	86	80	78	70	91
	H	45	67	73	88	79	72	68	61	88

CBAB-125 1,5KW 230V50		63	125	250	500	1000	2000	4000	8000	Total sound power
INLET	B	58	73	78	90	90	87	85	87	96
	M	55	70	73	83	84	81	82	73	89
	H	52	69	67	78	79	75	73	64	84
DISCHARGE	B	58	76	87	97	96	89	87	84	101
	M	55	72	83	93	90	84	82	74	96
	H	49	71	77	92	83	76	72	65	93

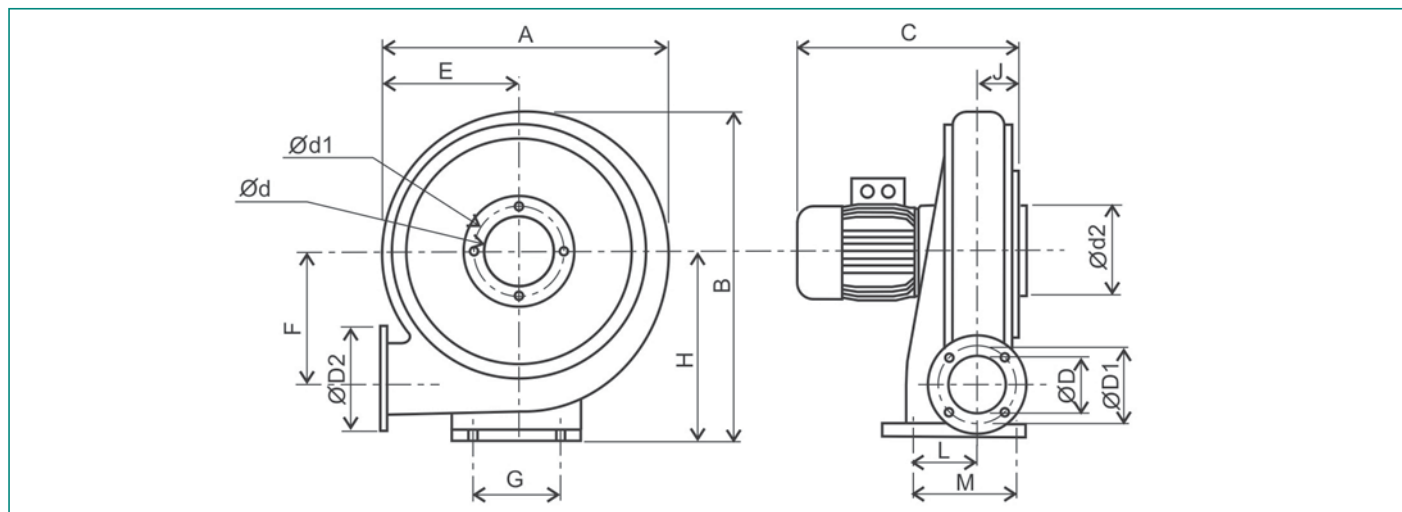
CBAT-125 1,5KW 230/400V50		63	125	250	500	1000	2000	4000	8000	Total sound power
INLET	B	58	73	78	90	90	87	85	87	96
	M	55	70	73	83	84	81	82	73	89
	H	52	69	67	78	79	75	73	64	84
DISCHARGE	B	58	76	87	97	96	89	87	84	101
	M	55	72	83	93	90	84	82	74	96
	H	49	71	77	92	83	76	72	65	93

CBAT-160 2,2KW 230/400V50		63	125	250	500	1000	2000	4000	8000	Total sound power
INLET	B	58	73	78	90	90	87	85	87	96
	M	55	70	73	83	84	81	82	73	89
	H	52	69	67	78	79	75	73	64	84
DISCHARGE	B	58	76	87	97	96	89	87	84	101
	M	55	72	83	93	90	84	82	74	96
	H	49	71	77	92	83	76	72	65	93

CBAT-160S 3KW 230/400V50		63	125	250	500	1000	2000	4000	8000	Total sound power
INLET	B	61	76	81	93	93	90	88	90	98
	M	58	73	76	86	87	84	85	76	92
	H	55	72	70	81	82	78	76	67	84
DISCHARGE	B	61	79	90	100	99	92	90	87	103
	M	58	75	86	96	93	87	85	77	99
	H	52	74	80	95	86	79	75	68	96

CBAT-180 11KW 230/400V50		63	125	250	500	1000	2000	4000	8000	Total sound power
INLET	B	68	83	88	100	100	97	95	97	106
	M	65	80	83	93	94	91	92	83	99
	H	62	79	77	88	89	85	83	74	94
DISCHARGE	B	68	86	97	107	106	99	97	94	111
	M	65	82	93	103	100	94	92	84	106
	H	59	81	87	102	93	86	82	75	103

## Dimensions (mm)

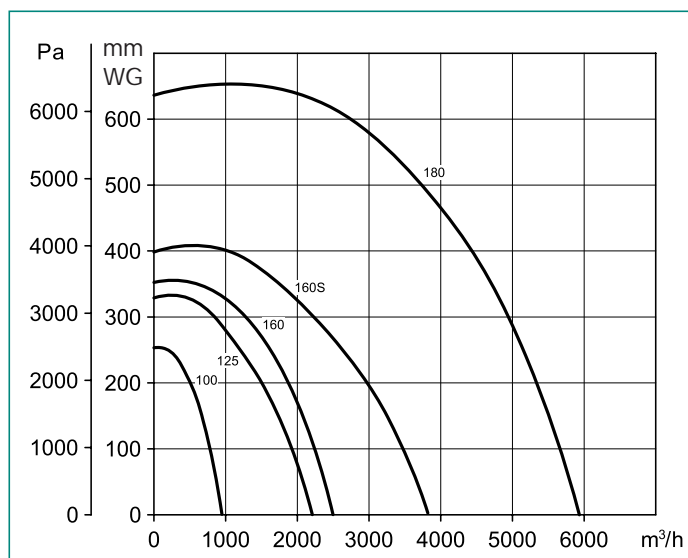


Model	A	B	C	D	D1	D2	E	F
CBAB/CBAT-100	445	506	342	100	139	165	210	199
CBAB/CBAT-125	519	573	383	125	165	191	248	222
CBAT-160	565	640	455	160	200	230	270	236
CBAT-160 S	625	700	519	160	200	230	295	275
CBAT-180	851	921	643	180	240	270	395	350

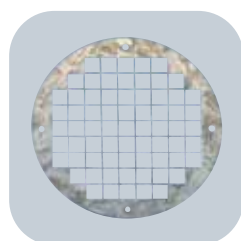
Model	G	H	J	L	M	d	d1	d2
CBAB/CBAT-100	140	290	63	105	170	106	139	165
CBAB/CBAT-125	180	320	70	270	150	162	182	200
CBAT-160	170	363	87	145	230	138	182	200
CBAT-160 S	180	400	85	176	150	185	200	230
CBAT-180	390	500	117	285	190	190	260	280

## Performance curves

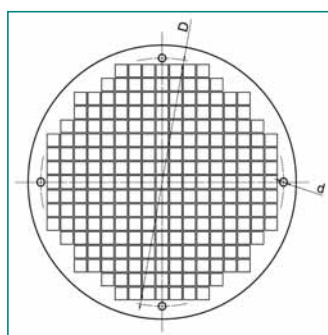
- Fan ducted on both inlet and outlet sides.
- Air volume in m<sup>3</sup>/h.
- Static pressure in mmWG and Pa.



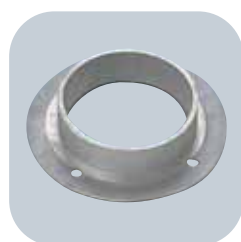
## Accessories



**KRDA**  
Inlet guard protection grille to be mounted at the inlet of CBAB-CBAT.

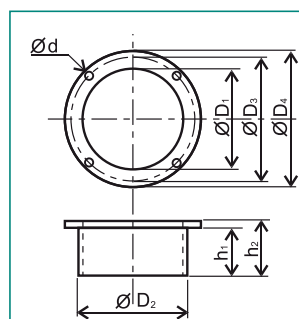


Models	Inlet guard ASP	D	d
CBAB/CBAT-100	KRDA-120	139	7
CBAB/CBAT-125	KRDA-140	182	7
CBAT-160	KRDA-140	182	7
CBAT-160 S	KRDA-160	200	7
CBAT-180	KRDA-225	260	7



**CBA**  
Inlet flange. To be mounted at the inlet of CBAB-CBAT.

**CBS**  
Outlet flange. To be mounted at the discharge of CBAB-CBAT.



Model	BRIDA ASP.	D1	D2	D3	D4	h1	h2	d
CBAB/CBAT-100	CBAA-100	110	125	139	165	10	80	9
CBAT-160	CBA-160	148	160	182	200	10	80	9
CBAT-160 S	CBAA-160	172	180	200	234	10	80	9

Model	BRIDA DESC.	D1	D2	D3	D4	h1	h2	d
CBAB/CBAT-100	CBAS-100	100	112	139	165	10	80	9
CBAB/CBAT-125	CBAS-125	125	139	165	190	10	80	10
CBAT-160	CBS-160	160	170	200	230	11	80	10
CBAT-160 S	CBS-160	160	170	200	230	11	80	10

