

## FA

- Ravan periv prefilter debljine 10mm. Ram i spoljne mreže su od pocinkovanog čelika. Filtraciona sekcija: Poliuretana na bazi poliestera.
- Prefilter, flat, washable, with thickness 10mm. In galvanised frame and wire mesh in both sides. Filtration media: Polyester-based polyurethane.



## FA-PVC

- Ravan periv prefilter debljine 10mm. Ram i spoljne mreže su od pocinkovanog čelika. Filtraciona sekcija: PVC.
- Prefilter, flat, washable, with thickness 10mm. In galvanised frame and wire mesh in both sides. Filtration media: PVC.

### DIMENZIJE OTVORA / HOLE DIMENSION

Visina / Height (mm)

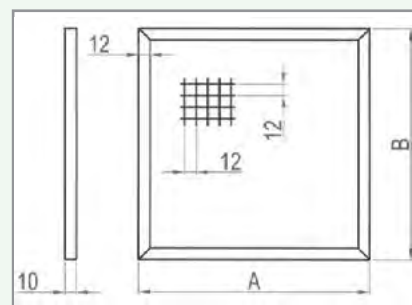
	100	125	150	200	250	300	350	400	450	500	550	600
200	8,19	8,19	8,19	8,19								
250	8,19	8,19	8,19	8,19	9,09							
300	8,19	8,19	8,19	8,65	10,81	12,98						
350	8,19	8,19	8,19	10,09	12,69	13,25	15,52					
400	8,19	8,19	8,65	11,54	13,44	15,14	17,66	20,19				
450	8,19	8,19	9,81	12,98	14,26	17,03	19,93	22,71	23,35			
500	8,19	9,09	10,81	13,44	15,77	18,93	22,08	23,43	24,33	27,04		
550	8,19	9,95	11,97	13,88	17,41	20,82	24,35	24,58	26,82	29,74	32,77	
600	8,65	10,81	12,98	15,14	18,93	22,71	24,54	25,95	29,20	32,44	35,69	38,93
650	9,37	11,68	14,13	16,40	20,56	24,60	24,66	28,12	31,69	35,15	38,72	42,18
700	10,09	12,69	14,19	17,66	22,08	24,87	26,50	30,28	34,07	37,85	41,64	43,53
750	10,81	13,55	14,26	18,93	23,72	25,23	28,45	32,44	36,56	40,55	42,81	46,64
800	11,54	13,76	15,14	20,19	24,00	25,95	30,28	34,61	38,93	41,46	45,60	49,75
850	12,26	14,03	16,15	21,45	24,21	27,58	32,23	36,77	41,42	44,05	48,50	52,86
900	12,98	14,26	17,03	22,71	24,33	29,20	34,07	38,93	41,98	46,64	51,30	55,97
950	13,70	15,02	18,04	23,97	25,74	30,82	36,02	41,10	44,36	49,23	54,21	59,08
1000	13,76	15,77	18,93	24,22	27,04	32,44	37,85	41,46	46,64	51,82	57,01	59,48
1050	13,82	16,52	19,93	24,46	28,45	34,07	39,80	43,53	49,03	54,42	59,91	62,45
1100	13,88	17,41	20,82	24,63	29,74	35,69	41,64	45,60	51,30	57,01	59,98	65,43
1150	14,51	18,17	21,83	24,87	31,15	37,31	41,78	47,67	53,69	59,59	62,75	68,40
1200	15,14	18,93	22,71	25,95	32,44	38,93	43,53	49,75	55,97	59,77	65,43	71,38
1250	15,77	19,68	23,72	27,04	33,85	40,55	45,40	51,82	58,36	61,96	68,21	74,35
1300	16,40	20,56	23,92	28,12	35,15	42,18	47,16	53,89	60,63	64,44	70,88	77,32
1350	17,03	21,33	24,58	29,20	36,56	42,64	49,03	55,97	61,04	66,92	73,65	78,00
1400	17,66	22,08	25,02	30,28	37,85	43,53	50,79	58,04	62,45	69,39	76,33	79,49
1450	18,29	22,83	25,44	31,36	39,26	45,08	52,65	60,11	64,73	71,88	79,11	82,33
1500	18,93	23,72	25,85	32,44	40,55	46,64	54,42	60,63	66,92	74,35	79,63	85,16

Širina / Width (mm)

-Za filtere čije se dimenzije ne nalaze u tabeli iznad, cene se računaju prema tabeli ispod:

-For filter dimensions outside the table above, we calculate the filter price according to the following:

POVRŠINA A X B (m <sup>2</sup> ) AREA A X B (m <sup>2</sup> )	CENA PO m <sup>2</sup> CATALOGUE PRICE PER m <sup>2</sup>
0,10 - 0,199	126,17
0,20 - 0,399	108,14
0,40 - 0,599	103,64
0,60 - 0,799	99,13
> 0,8	94,63



FA, FA-PVC

**NAPOMENA:**

\* U slučaju kada imamo rešetku npr. 200x800 uzimamo cenu za rešetku 800x200.

**NOTES:**

\* In the case where we have a grille i.e. 200x800 we can use the price of 800x200.



### FA-Z-48

- Ravan periv prefilter debljine 48mm. Ram i spoljne mreže su od pocinkovanog čelika. Filtraciona sekcija: Poliuretan na bazi poliestera.
- Z-line prefilter, washable, with thickness 48mm. In galvanised frame and wire mesh in both sides. Filtration media: Polyester-based polyurethane.

### FA-Z-98

- Ravan periv prefilter debljine 98mm. Ram i spoljne mreže su od pocinkovanog čelika. Filtraciona sekcija: Poliuretan na bazi poliestera.
- Z-line prefilter, washable, with thickness 98mm. In galvanised frame and wire mesh in both sides. Filtration media: Polyester-based polyurethane.

FA-Z-48

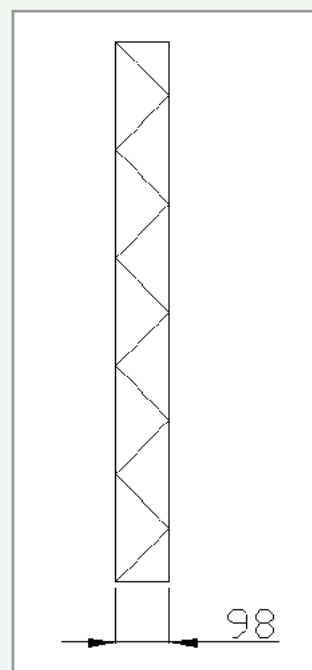
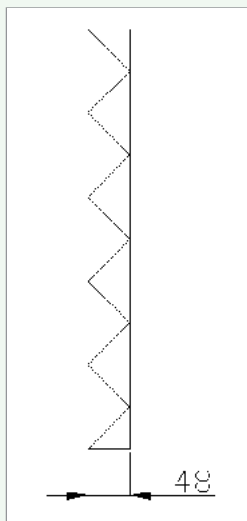
POVRŠINA A X B (m <sup>2</sup> ) AREA A X B (m <sup>2</sup> )	CENA PO m <sup>2</sup> CATALOGUE PRICE PER m <sup>2</sup>
0 - 0,999	180,65
0,10 - 0,199	163,45
0,20 - 0,399	146,24
0,40 - 0,599	137,64
0,60 - 0,799	133,34
> 0,8	129,04

Najmanji vrednost za poručivanje/Minimum catalogue price: 15,00€

FA-Z-98

POVRŠINA A X B (m <sup>2</sup> ) AREA A X B (m <sup>2</sup> )	CENA PO m <sup>2</sup> CATALOGUE PRICE PER m <sup>2</sup>
0 - 0,999	215,06
0,10 - 0,199	197,86
0,20 - 0,399	180,65
0,40 - 0,599	172,05
0,60 - 0,799	167,75
> 0,8	163,45

Najmanji vrednost za poručivanje/Minimum catalogue price: 18,00€



10



**FL**

- Periv filter za masnoću izrađen od čeličnog rama i 2 spoljna i 6 unutrašnjih slojeva aluminijumske mrežice.
- Grease filter, washable, with stainless steel frame and 2 external plus 6 internal layers of aluminium mesh.

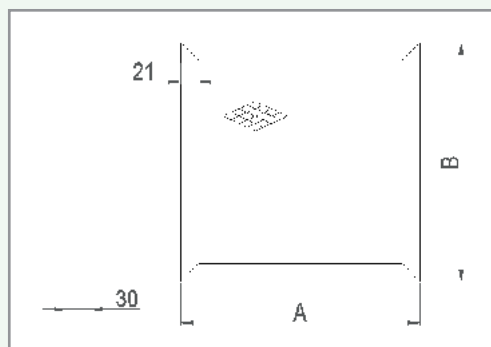
**DIMENZIJE OTVORA / HOLE DIMENSION**  
Visina / Height (mm)

	100	125	150	200	250	300	350	400	450	500	550	600
200	16,39	16,39	16,39	16,39								
250	16,39	16,39	16,39	16,39	18,74							
300	16,39	16,39	16,39	17,84	22,31	26,77						
350	16,39	16,39	16,39	20,82	26,17	28,39	33,25					
400	16,39	16,39	17,84	23,79	27,04	32,44	37,85	43,26				
450	16,39	16,39	20,22	26,77	30,55	36,50	42,72	48,67	50,43			
500	16,39	17,03	22,31	27,04	33,80	40,55	47,31	50,69	53,74	59,71		
550	16,39	18,66	24,68	29,74	37,31	44,61	52,18	52,54	59,23	65,68	72,24	
600	17,84	20,28	26,77	32,44	40,55	48,67	53,02	57,32	64,49	71,65	78,81	85,98
650	19,34	21,90	29,14	35,15	44,07	52,72	54,45	62,09	69,98	77,62	85,38	93,14
700	20,82	23,79	29,58	37,85	47,31	53,21	58,51	66,87	75,23	83,59	91,95	94,63
750	22,31	25,41	30,55	40,55	50,83	53,74	62,81	71,65	80,72	89,56	92,94	101,39
800	23,79	25,73	32,44	43,26	51,25	57,32	66,87	76,42	85,98	90,12	99,13	108,14
850	25,28	26,05	34,61	45,96	51,70	60,91	71,17	81,20	91,47	95,76	105,33	114,90
900	26,77	27,77	36,50	48,67	53,74	64,49	75,23	85,98	93,11	101,39	111,53	121,66
950	28,26	29,25	38,66	51,37	56,84	68,07	79,54	90,75	96,43	107,02	117,72	128,42
1000	28,31	30,72	40,55	51,70	59,71	71,65	83,59	91,87	101,39	112,65	123,92	129,77
1050	28,39	32,20	42,72	51,90	62,81	75,23	87,88	94,63	106,57	118,29	130,11	136,26
1100	29,74	33,92	44,61	52,54	65,68	78,81	91,95	99,13	111,53	123,92	130,86	142,75
1150	31,09	35,39	46,77	54,93	68,78	82,39	93,29	103,64	116,71	129,55	136,80	149,24
1200	32,44	36,87	48,67	57,32	71,65	85,98	94,63	108,14	121,66	129,77	142,75	155,73
1250	33,80	38,34	50,83	59,71	74,76	89,56	98,68	112,65	126,85	135,18	148,70	162,22
1300	35,15	40,06	52,72	62,09	77,62	93,14	102,52	117,16	131,81	140,59	154,65	168,71
1350	36,50	41,54	53,25	64,49	80,72	93,85	106,57	121,66	133,01	146,00	160,60	170,35
1400	37,85	43,01	53,62	66,87	83,59	94,63	110,40	126,17	136,26	151,40	166,54	174,11
1450	39,20	44,49	54,06	69,26	86,70	98,01	114,45	130,68	141,24	156,81	172,49	180,33
1500	40,55	46,21	54,40	71,65	89,56	101,39	118,29	131,33	146,00	162,22	173,77	186,55

Širina / Width (mm)

-Za filtere čije se dimenzije ne nalaze u tabeli iznad, cene se računaju prema tabeli ispod:  
-For filter dimensions outside the table above, we calculate the filter price according to the following:

POVRŠINA A X B (m <sup>2</sup> ) AREA A X B (m <sup>2</sup> )	CENA PO m <sup>2</sup> CATALOGUE PRICE PER m <sup>2</sup>
0,10 - 0,199	270,36
0,20 - 0,399	238,82
0,40 - 0,599	225,30
0,60 - 0,799	216,29
> 0,8	207,28



**NAPOMENA:**

\* U slučaju kada imamo rešetku npr. 200x800 uzimamo cenu za rešetku 800x200.

**NOTES:**

\* In the case where we have a grille i.e. 200x800 we can use the price of 800x200.