



### 01, 02 i 03

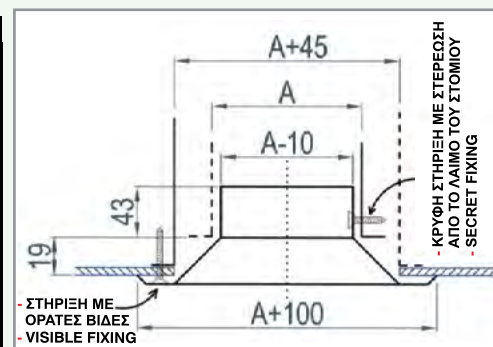
- Plafonska rešetka (anemostat) sa nepokretnim lamelama. U 1, 2 ili 3 pravca strujanja.
- Ceiling diffuser with fixed air deflection blades (anemostat). With 1 or 2 or 3 way throw pattern.

#### OSNOVNE DIMENZIJE / NOMINAL DIMENSION

Visina / Height (mm)

	150	200	230	250	300	350	380	400	450	500	530	550	600	650	700	750	800	850	900	950	1000	
150	22,43																					
200	24,48	26,77																				
230	25,71	28,15	29,60																			
250	26,95	29,28	30,68	31,77																		
300	30,03	32,11	33,36	34,52	37,39																	
350	32,69	35,33	36,91	37,75	39,88	42,97																
380	34,30	37,25	39,03	39,70	41,38	44,82	46,89															
400	35,59	38,40	40,08	40,88	42,85	46,19	48,19	49,55														
450	39,45	41,82	43,25	44,40	47,28	50,29	52,10	53,60	58,10													
500	43,05	45,37	46,76	47,92	50,85	53,86	55,67	57,17	61,67	63,94												
530	45,75	48,02	49,38	50,57	53,52	56,53	58,34	59,84	64,35	66,63												
550	47,68	49,96	51,34	52,52	55,48	58,49	60,30	61,80	66,31	67,60	68,57	70,53										
600	53,50	55,80	57,19	58,37	61,33	64,34	66,15	67,65	72,15	73,45	74,42	76,41	82,37									
650	57,38	59,70	61,08	62,26	65,22	68,23	70,04	71,54	76,05	77,34	78,32	80,34	86,34	90,35								
700	62,24	64,56	65,95	67,13	70,09	73,11	74,91	76,41	80,92	82,22	83,19	85,24	91,31	95,36	100,42							
750	67,09	69,42	70,82	72,01	74,97	77,98	79,78	81,29	85,79	87,09	88,06	90,14	96,27	100,36	105,47	110,58						
800	71,94	74,29	75,69	76,88	79,84	82,85	84,66	86,16	90,66	91,96	92,93	95,04	101,24	105,37	110,53	115,70	120,86					
850	76,79	79,15	80,57	81,75	84,71	87,72	89,53	91,03	95,53	96,83	97,80	99,95	106,20	110,38	115,59	120,81	126,02	131,24				
900	81,64	84,01	85,44	86,62	89,58	92,59	94,40	95,90	100,40	101,70	102,67	104,85	111,17	115,38	120,65	125,92	131,18	136,45	141,72			
950	86,49	88,87	90,31	91,49	94,45	97,46	99,27	100,77	105,28	106,57	107,55	109,75	116,13	120,39	125,71	131,03	136,35	141,67	146,98	152,30		
1000	91,34	93,75	95,18	96,36	99,32	102,33	104,14	105,64	110,15	111,44	112,42	114,65	121,10	125,40	130,77	136,14	141,51	146,88	152,25	157,62	162,99	

Širina / Width (mm)



CENOVNIK ZA REŠETKE  
OD ELOKSIRANOG ALUMINIJUMA  
UPRIRODNOJ BOJI

PRICELIST FOR GRILLES MADE  
OF ANODIZED ALUMINIUM  
IN NATURAL COLOUR

#### NAPOMENE:

\*Kada imamo rešetku 200X800, uzimamo cenu rešetke 800x200.

\*Postoji mogućnost skrivene ugradnje zavrtnjima u vrat anemostata (pogledajte sliku).

#### NOTES:

\* In the case where we have grilles 200X800 we can use the price of 800X200.

\* Secret fixing is possible with screws in the neck of the diffuser (see drawing).



## O1, O2 i O3 (RAL)

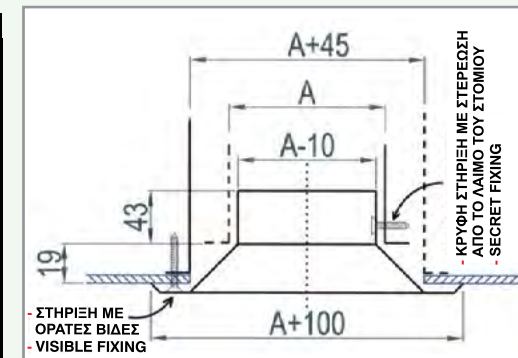
- Plafonska rešetka (anemostat) sa nepokretnim lamelama. U 1, 2 ili 3 pravca strujanja.
- Ceiling diffuser with fixed air deflection blades (anemostat). With 1 or 2 or 3 way throw pattern.

### OSNOVNE DIMENZIJE / NOMINAL DIMENSION

Visina / Height (mm)

	150	200	230	250	300	350	380	400	450	500	530	550	600	650	700	750	800	850	900	950	1000	
150	28,76																					
200	30,81	33,10																				
230	32,03	34,47	35,93																			
250	33,27	35,61	37,00	38,09																		
300	36,35	38,44	39,69	40,84	43,71																	
350	39,02	41,65	43,23	44,08	46,20	49,29																
380	40,62	43,58	45,36	46,02	47,70	51,15	53,22															
400	41,91	44,72	46,41	47,20	49,18	52,52	54,52	55,87														
450	45,77	48,15	49,57	50,73	53,60	56,61	58,42	59,92	64,43													
500	49,38	51,70	53,08	54,25	57,17	60,18	61,99	63,49	68,00	70,27												
530	52,07	54,34	55,70	56,89	59,85	62,86	64,67	66,17	70,67	71,98	72,97											
550	54,01	56,29	57,66	58,85	61,80	64,82	66,62	68,13	72,63	74,04	75,11	77,25										
600	59,83	62,13	63,51	64,70	67,65	70,67	72,47	74,09	79,03	80,45	81,51	83,69	90,21									
650	63,71	66,02	67,40	68,59	71,55	74,73	76,71	78,36	83,29	84,71	85,78	87,99	94,57	98,95								
700	68,56	70,88	72,28	73,53	76,77	80,07	82,05	83,69	88,63	90,05	91,11	93,36	100,00	104,44	109,98							
750	73,47	76,03	77,57	78,86	82,10	85,40	87,38	89,03	93,96	95,38	96,45	98,73	105,44	109,92	115,52	121,12						
800	78,79	81,36	82,90	84,20	87,44	90,74	92,72	94,36	99,30	100,72	101,78	104,10	110,88	115,41	121,06	126,71	132,37					
850	84,10	86,69	88,24	89,53	92,78	96,07	98,05	99,70	104,63	106,05	107,12	109,47	116,32	120,89	126,60	132,31	138,02	143,73				
900	89,41	92,01	93,57	94,87	98,11	101,41	103,39	105,03	109,97	111,39	112,45	114,84	121,76	126,37	132,14	137,91	143,68	149,45	155,21			
950	94,72	97,34	98,91	100,21	103,45	106,75	108,72	110,37	115,30	116,72	117,79	120,20	127,19	131,86	137,68	143,51	149,33	155,16	160,98	166,81		
1000	100,04	102,68	104,24	105,54	108,78	112,08	114,06	115,70	120,64	122,06	123,12	125,57	132,63	137,34	143,22	149,10	154,99	160,87	166,75	172,63	178,52	

Širina / Width (mm)



CENOVNIK ZA REŠETKE  
OBOJENE RAL BOJOM  
PLASTIFICIRANE

PRICE LIST FOR GRILLES  
PAINTED IN RAL COLOUR  
ELECTROSTATICALLY

#### NAPOMENE:

- \* U slučaju kada imamo rešetku 200x800 uzimamo cenu rešetke 800x200.
- \* Za neke specijalne RAL boje postoji dodatak u ceni. Kontaktirajte nas za detaljnije informacije.
- \* Postoji mogućnost skrivene ugradnje zavrtanjima u vrat anemostata (pogledajte sliku).

#### NOTES:

- \* In the case where we have grilles 200X800 we can use the price of 800X200.
- \* For some special RAL colours there is extra charge. Come in touch with us for more information.
- \* Secret fixing is possible with screws in the neck of the diffuser (see drawing).





### O1-D, O2-D i O3-D

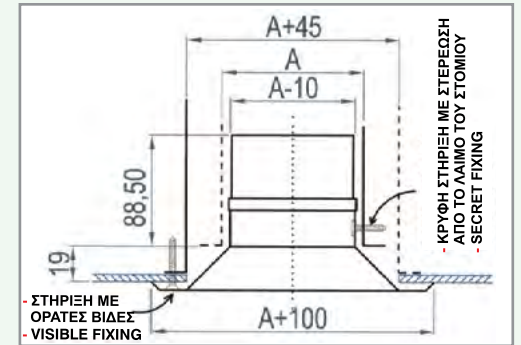
- Plafonska rešetka (anemostat) sa nepokretnim lamelama i regulator protoka sa suprotnosmernim lamelama. U 1,2 ili 3 pravca strujanja.
- Ceiling diffuser with fixed air deflection blades (anemostat). With 1 or 2 or 3 way throw pattern. With opposed blade damper for regulation of air flow.

#### OSNOVNE DIMENZIJE / NOMINAL DIMENSION

Visina / Height (mm)

	150	200	230	250	300	350	380	400	450	500	530	550	600	650	700	750	800	850	900	950	1000	
150	30,22																					
200	32,67	35,85																				
230	34,13	37,76	39,94																			
250	35,92	39,42	41,52	43,12																		
300	40,39	43,57	45,47	47,13	51,27																	
350	44,76	47,87	49,73	51,45	55,74	60,16																
380	47,38	50,44	52,28	54,03	58,41	62,82	65,47															
400	49,63	52,73	54,59	56,32	60,62	65,06	67,71	69,99														
450	56,37	59,59	61,52	63,17	67,27	71,75	74,44	76,83	84,02													
500	62,37	65,59	67,52	69,17	73,29	77,76	80,44	82,84	90,02	95,99												
530	66,88	70,09	72,01	73,67	77,81	82,27	84,94	87,34	94,52	100,46	104,91											
550	70,02	73,23	75,15	76,81	80,95	85,41	88,08	90,48	97,66	103,60	108,05	111,19										
600	79,41	82,62	84,55	86,21	90,35	94,81	97,48	99,88	107,06	113,00	117,45	120,62	130,13									
650	85,68	88,89	90,82	92,48	96,62	101,07	103,75	106,14	113,33	119,27	123,72	126,91	136,48	142,85								
700	93,51	96,72	98,65	100,31	104,45	108,91	111,58	113,98	121,16	127,10	131,55	134,78	144,40	150,82	158,84							
750	101,34	104,56	106,49	108,14	112,29	116,74	119,41	121,81	129,00	134,93	139,39	142,64	152,33	158,79	166,86	174,93						
800	109,17	112,39	114,32	115,98	120,12	124,57	127,25	129,64	136,83	142,77	147,22	150,50	160,26	166,75	174,88	183,00	191,13					
850	117,00	120,22	122,15	123,81	127,95	132,41	135,08	137,48	144,66	150,60	155,05	158,37	168,18	174,72	182,90	191,08	199,25	207,43				
900	124,83	128,05	129,99	131,64	135,79	140,24	142,91	145,31	152,50	158,43	162,88	166,23	176,11	182,69	190,92	199,15	207,38	215,61	223,84			
950	132,67	135,89	137,82	139,48	143,62	148,07	150,75	153,14	160,33	166,27	170,72	174,10	184,04	190,66	198,94	207,22	215,50	223,78	232,06	240,34		
1000	140,50	143,72	145,65	147,31	151,45	155,91	158,58	160,98	168,16	174,10	178,55	181,96	191,96	198,63	206,96	215,29	223,63	231,96	240,29	248,63	256,96	

Širina / Width (mm)



CENOVNIK ZA REŠETKE  
OD ELOKSIRANOG ALUMINIJUMA  
UPRIRIROJANOJ BOJI

PRICELIST FOR GRILLES MADE  
OF ANODIZED ALUMINIUM  
IN NATURAL COLOUR

#### NAPOMENE:

- \*Kada imamo rešetku 200X800, uzimamo cenu rešetke 800x200.
- \*Postoji mogućnost skrivene ugradnje zavrtnjima u vrat anemostata (pogledajte sliku).

#### NOTES:

- \* In the case where we have grilles 200X800 we can use the price of 800X200.
- \* Secret fixing is possible with screws in the neck of the diffuser (see drawing).



## O1-D, O2-D i O3-D (RAL)

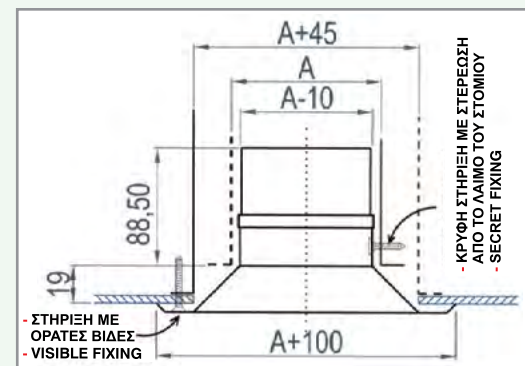
- Plafonska rešetka (anemostat) sa nepokretnim lamelama i regulator protoka sa suprotnosmernim lamelama. U 1,2 ili 3 pravca strujanja.
- Ceiling diffuser with fixed air deflection blades (anemostat). With 1 or 2 or 3 way throw pattern. With opposed blade damper for regulation of air flow.

### OSNOVNE DIMENZIJE / NOMINAL DIMENSION

Visina / Height (mm)

	150	200	230	250	300	350	380	400	450	500	530	550	600	650	700	750	800	850	900	950	1000	
150	36,54																					
200	38,99	42,17																				
230	40,46	44,08	46,26																			
250	42,24	45,74	47,84	49,45																		
300	46,72	49,89	51,80	53,45	57,60																	
350	51,08	54,19	56,06	57,77	62,06	66,49																
380	53,71	56,77	58,61	60,36	64,73	69,15	71,79															
400	55,96	59,06	60,92	62,64	66,95	71,38	74,04	76,32														
450	62,69	65,91	67,85	69,49	73,60	78,08	80,76	83,16	90,35													
500	68,70	71,91	73,84	75,49	79,62	84,08	86,77	89,16	96,35	102,31												
530	73,20	76,41	78,34	80,00	84,14	88,59	91,27	93,66	100,85	106,79	111,26											
550	76,34	79,55	81,48	83,14	87,28	91,73	94,41	96,80	103,99	110,04	114,58	117,91										
600	85,74	88,95	90,88	92,53	96,68	101,13	103,80	106,32	113,93	119,99	124,54	127,90	137,98									
650	92,00	95,22	97,15	98,80	102,94	107,57	110,42	112,96	120,57	126,63	131,18	134,56	144,70	151,45								
700	99,83	103,05	104,98	106,70	111,13	115,87	118,72	121,25	128,87	134,93	139,47	142,89	153,10	159,90	168,40							
750	107,73	111,17	113,23	115,00	119,43	124,17	127,01	129,55	137,17	143,23	147,77	151,23	161,50	168,34	176,90	185,46						
800	116,02	119,47	121,53	123,30	127,72	132,46	135,31	137,85	145,46	151,52	156,07	159,56	169,90	176,79	185,41	194,02	202,64					
850	124,32	127,76	129,83	131,60	136,02	140,76	143,61	146,15	153,76	159,82	164,37	167,89	178,30	185,23	193,91	202,58	211,25	219,93				
900	132,61	136,06	138,12	139,89	144,32	149,06	151,90	154,44	162,06	168,12	172,66	176,22	186,70	193,68	202,41	211,14	219,87	228,60	237,33			
950	140,90	144,35	146,42	148,19	152,61	157,36	160,20	162,74	170,36	176,42	180,96	184,55	195,10	202,13	210,91	219,70	228,49	237,27	246,06	254,85		
1000	149,20	152,65	154,72	156,49	160,91	165,65	168,50	171,04	178,65	184,71	189,26	192,88	203,50	210,57	219,42	228,26	237,10	245,95	254,79	263,64	272,48	

Širina / Width (mm)



CENOVNIK ZA REŠETKE  
OBOJENE RAL BOJOM  
PLASTIFICIRANE

PRICE LIST FOR GRILLES  
PAINTED IN RAL COLOUR  
ELECTROSTATICALLY

#### NAPOMENE:

- \* U slučaju kada imamo rešetku 200x800 uzimamo cenu rešetke 800x200.
- \* Za neke specijalne RAL boje postoji dodatak u ceni. Kontaktirajte nas za detaljnije informacije.
- \* Postoji mogućnost skrivene ugradnje zavrtnjima u vrat anemostata (pogledajte sliku).

#### NOTES:

- \* In the case where we have grilles 200X800 we can use the price of 800X200.
- \* For some special RAL colours there is extra charge. Come in touch with us for more information.
- \* Secret fixing is possible with screws in the neck of the diffuser (see drawing).




**O4**

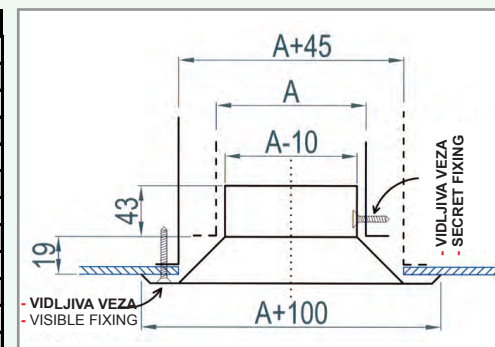
- Plafonska rešetka sa nepokretnim lamelama (anemostat). U 4 pravca strujanja.
- Ceiling diffuser with fixed air deflection blades (anemostat). With 4 way throw pattern.

**OSNOVNE DIMENZIJE / NOMINAL DIMENSION**

Visina / Height (mm)

	150	200	230	250	300	350	380	400	450	500	530	550	600	650	700	750	800	850	900	950	1000	
150	20,39																					
200	22,26	24,34																				
230	23,37	25,59	26,91																			
250	24,50	26,62	27,89	28,88																		
300	27,30	29,19	30,33	31,38	33,99																	
350	29,72	32,12	33,55	34,32	36,25	39,06																
380	31,18	33,87	35,49	36,09	37,61	40,75	42,63															
400	32,35	34,91	36,44	37,16	38,96	41,99	43,81	45,04														
450	35,86	38,02	39,32	40,37	42,98	45,72	47,36	48,73	52,82													
500	39,14	41,25	42,51	43,57	46,23	48,96	50,61	51,97	56,07	58,13												
530	41,59	43,65	44,89	45,97	48,66	51,40	53,04	54,40	58,50	59,68	60,57											
550	43,35	45,42	46,67	47,75	50,44	53,17	54,82	56,18	60,28	61,46	62,34	64,12										
600	48,64	50,73	51,99	53,06	55,75	58,49	60,14	61,50	65,60	66,77	67,66	69,47	74,88									
650	52,17	54,27	55,53	56,60	59,29	62,03	63,67	65,04	69,13	70,31	71,20	73,03	78,49	82,14								
700	56,58	58,69	59,96	61,03	63,72	66,46	68,10	69,47	73,56	74,74	75,63	77,49	83,01	86,69	91,29							
750	60,99	63,11	64,38	65,46	68,15	70,89	72,53	73,90	77,99	79,17	80,05	81,95	87,52	91,24	95,89	100,53						
800	65,40	67,54	68,81	69,89	72,58	75,32	76,96	78,33	82,42	83,60	84,48	86,40	92,03	95,79	100,48	105,18	109,87					
850	69,81	71,95	73,24	74,32	77,01	79,75	81,39	82,75	86,85	88,03	88,91	90,86	96,55	100,34	105,08	109,82	114,56	119,31				
900	74,22	76,37	77,67	78,75	81,44	84,17	85,82	87,18	91,28	92,46	93,34	95,32	101,06	104,89	109,68	114,47	119,26	124,05	128,83			
950	78,63	80,79	82,10	83,17	85,86	88,60	90,25	91,61	95,71	96,88	97,77	99,77	105,58	109,45	114,28	119,12	123,95	128,79	133,62	138,46		
1000	83,04	85,23	86,53	87,60	90,29	93,03	94,67	96,04	100,13	101,31	102,20	104,23	110,09	114,00	118,88	123,76	128,65	133,53	138,41	143,29	148,18	

Širina / Width (mm)


 CENOVNIK ZA REŠETKE  
 OD ELOKSIRANOG ALUMINIJUMA  
 UPRIRODNOJ BOJI

 PRICELIST FOR GRILLES MADE  
 OF ANODIZED ALUMINIUM  
 IN NATURAL COLOUR

**NAPOMENE:**

- \*Kada imamo rešetku 200X800, uzimamo cenu rešetke 800x200.
- \*Postoji mogućnost skrivene ugradnje zavrtanjima u vrat anemostata (pogledajte sliku).

**NOTES:**

- \* In the case where we have grilles 200X800 we can use the price of 800X200.
- \* Secret fixing is possible with screws in the neck of the diffuser (see drawing).



## O4 (RAL)

- Plafonska rešetka sa nepokretnim lamelama (anemostat). U 4 pravca strujanja.
- Ceiling diffuser with fixed air deflection blades (anemostat). With 4 way throw pattern.

### OSNOVNE DIMENZIJE / NOMINAL DIMENSION

Visina / Height (mm)

	150	200	230	250	300	350	380	400	450	500	530	550	600	650	700	750	800	850	900	950	1000	
150	26,14																					
200	28,01	30,09																				
230	29,12	31,34	32,66																			
250	30,25	32,37	33,64	34,63																		
300	33,05	34,94	36,08	37,13	39,74																	
350	35,47	37,87	39,30	40,07	42,00	44,81																
380	36,93	39,62	41,23	41,84	43,36	46,50	48,38															
400	38,10	40,66	42,19	42,91	44,71	47,74	49,56	50,79														
450	41,61	43,77	45,07	46,12	48,73	51,47	53,11	54,48	58,57													
500	44,89	47,00	48,26	49,32	51,97	54,71	56,36	57,72	61,82	63,88												
530	47,34	49,40	50,64	51,72	54,41	57,15	58,79	60,15	64,25	65,43	66,34											
550	49,10	51,17	52,42	53,50	56,19	58,92	60,57	61,93	66,03	67,31	68,28	70,23										
600	54,39	56,48	57,74	58,81	61,50	64,24	65,89	67,36	71,84	73,13	74,10	76,08	82,01									
650	57,92	60,02	61,28	62,35	65,04	67,94	69,74	71,23	75,72	77,01	77,98	79,99	85,97	89,96								
700	62,33	64,44	65,71	66,84	69,79	72,79	74,59	76,08	80,57	81,86	82,83	84,87	90,91	94,94	99,98							
750	66,80	69,12	70,52	71,69	74,64	77,64	79,44	80,93	85,42	86,71	87,68	89,75	95,86	99,93	105,02	110,11						
800	71,62	73,97	75,37	76,54	79,49	82,49	84,29	85,78	90,27	91,56	92,53	94,63	100,80	104,91	110,05	115,19	120,34					
850	76,45	78,81	80,22	81,40	84,34	87,34	89,14	90,63	95,12	96,41	97,38	99,51	105,74	109,90	115,09	120,28	125,48	130,67				
900	81,28	83,65	85,07	86,25	89,19	92,19	93,99	95,49	99,97	101,26	102,23	104,40	110,69	114,88	120,13	125,37	130,62	135,86	141,10			
950	86,11	88,49	89,92	91,10	94,04	97,04	98,84	100,34	104,82	106,11	107,08	109,28	115,63	119,87	125,16	130,46	135,76	141,05	146,35	151,64		
1000	90,94	93,35	94,77	95,95	98,89	101,89	103,69	105,19	109,67	110,96	111,93	114,16	120,57	124,85	130,20	135,55	140,90	146,24	151,59	156,94	162,29	

Širina / Width (mm)

CENOVNIK ZA REŠETKE  
OBOJENE RAL BOJOM  
PLASTIFICIRANE

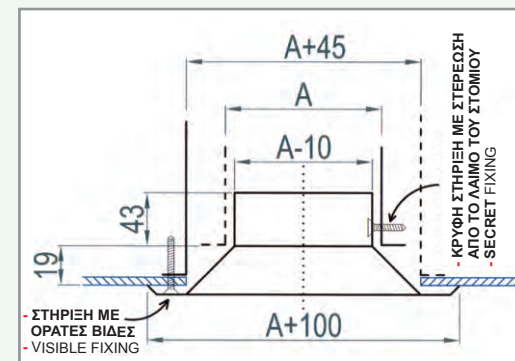
PRICE LIST FOR GRILLES  
PAINTED IN RAL COLOUR  
ELECTROSTATICALLY

#### NAPOMENE:

- \* U slučaju kada imamo rešetku 200x800 uzimamo cenu rešetke 800x200.
- \* Za neke specijalne RAL boje postoji dodatak u ceni. Kontaktirajte nas za detaljnije informacije.
- \* Postoji mogućnost skrivene ugradnje zavrtnjima u vrat anemostata (pogledajte sliku).

#### NOTES:

- \* In the case where we have grilles 200X800 we can use the price of 800X200.
- \* For some special RAL colours there is extra charge. Come in touch with us for more information.
- \* Secret fixing is possible with screws in the neck of the diffuser (see drawing).





### O4-D

- Plafonska rešetka sa nepokretnim lamelama (anemostat). U 4 pravca strujanja. Sa damperom za regulaciju protoka.
- Ceiling diffuser with fixed air deflection blades (anemostat). With 4 way throw pattern. With opposed blade damper for regulation of air flow.

#### OSNOVNE DIMENZIJE / NOMINAL DIMENSION

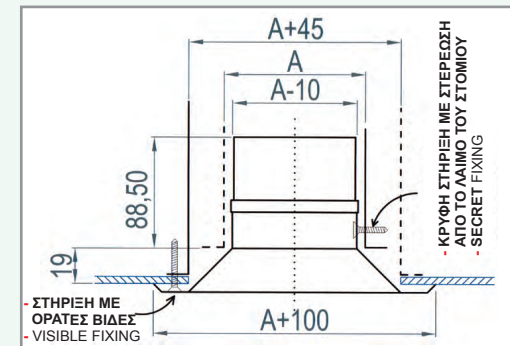
Visina / Height (mm)

	150	200	230	250	300	350	380	400	450	500	530	550	600	650	700	750	800	850	900	950	1000	
150	28,18																					
200	30,44	33,42																				
230	31,79	35,20	37,25																			
250	33,47	36,76	38,73	40,24																		
300	37,66	40,65	42,44	43,99	47,87																	
350	41,79	44,66	46,38	48,02	52,11	56,26																
380	44,27	47,06	48,73	50,42	54,65	58,75	61,20															
400	46,40	49,24	50,95	52,60	56,73	60,86	63,33	65,49														
450	52,78	55,79	57,59	59,13	62,97	67,18	69,70	71,96	78,74													
500	58,46	61,46	63,27	64,81	68,67	72,86	75,38	77,64	84,42	90,17												
530	62,72	65,72	67,53	69,07	72,95	77,13	79,64	81,90	88,67	94,49	98,86											
550	65,68	68,68	70,49	72,04	75,91	80,09	82,60	84,86	91,64	97,45	101,82	104,78										
600	74,55	77,55	79,35	80,90	84,78	88,96	91,47	93,73	100,50	106,32	110,69	113,68	122,65									
650	80,46	83,47	85,27	86,82	90,69	94,87	97,38	99,64	106,42	112,24	116,60	119,61	128,63	134,64								
700	87,85	90,86	92,66	94,21	98,08	102,26	104,77	107,03	113,81	119,63	123,99	127,03	136,10	142,15	149,71							
750	95,24	98,25	100,05	101,60	105,47	109,65	112,16	114,42	121,20	127,02	131,38	134,45	143,58	149,66	157,27	164,88						
800	102,63	105,64	107,44	108,99	112,86	117,04	119,55	121,81	128,59	134,41	138,77	141,86	151,05	157,18	164,83	172,49	180,14					
850	110,02	113,03	114,83	116,38	120,25	124,43	126,94	129,20	135,98	141,80	146,16	149,28	158,53	164,69	172,39	180,09	187,80	195,50				
900	117,41	120,42	122,22	123,77	127,64	131,82	134,33	136,59	143,37	149,19	153,55	156,70	166,00	172,20	179,95	187,70	195,45	203,20	210,95			
950	124,80	127,81	129,61	131,16	135,03	139,21	141,72	143,98	150,76	156,58	160,94	164,12	173,48	179,72	187,51	195,31	203,11	210,90	218,70	226,50		
1000	132,19	135,20	137,00	138,55	142,42	146,60	149,11	151,37	158,15	163,97	168,33	171,54	180,95	187,23	195,07	202,92	210,76	218,61	226,45	234,30	242,14	

Širina / Width (mm)

CENOVNIK ZA REŠETKE  
 OD ELOKSIRANOG ALUMINIJUMA  
 UPRIRODNOJ BOJI

PRICELIST FOR GRILLES MADE  
 OF ANODIZED ALUMINIUM  
 IN NATURAL COLOUR



#### NAPOMENE:

\*Kada imamo rešetku 200X800, uzimamo cenu rešetke 800x200.

\*Postoji mogućnost skrivene ugradnje zavrtanjima u vrat anemostata (pogledajte sliku).

#### NOTES:

\* In the case where we have grilles 200X800 we can use the price of 800X200.

\* Secret fixing is possible with screws in the neck of the diffuser (see drawing).



## O4-D (RAL)

- Plafonska rešetka sa nepokretnim lamelama (anemostat). U 4 pravca strujanja. Sa damperom za regulaciju protoka.
- Ceiling diffuser with fixed air deflection blades (anemostat). With 4 way throw pattern. With opposed blade damper for regulation of air flow.

### OSNOVNE DIMENZIJE / NOMINAL DIMENSION

Visina / Height (mm)

	150	200	230	250	300	350	380	400	450	500	530	550	600	650	700	750	800	850	900	950	1000	
150	33,93																					
200	36,19	39,17																				
230	37,54	40,95	42,99																			
250	39,22	42,51	44,48	45,99																		
300	43,41	46,40	48,19	49,74	53,62																	
350	47,54	50,41	52,13	53,76	57,86	62,01																
380	50,02	52,81	54,48	56,17	60,40	64,50	66,95															
400	52,15	54,99	56,70	58,35	62,48	66,61	69,08	71,24														
450	58,53	61,54	63,34	64,88	68,72	72,93	75,45	77,71	84,49													
500	64,21	67,21	69,02	70,56	74,42	78,61	81,13	83,39	90,17	95,92												
530	68,47	71,47	73,28	74,82	78,70	82,88	85,39	87,65	94,42	100,24	104,63											
550	71,43	74,43	76,24	77,79	81,66	85,84	88,35	90,61	97,39	103,31	107,76	110,89										
600	80,30	83,30	85,10	86,65	90,53	94,71	97,22	99,58	106,75	112,68	117,13	120,29	129,78									
650	86,21	89,22	91,02	92,57	96,44	100,78	103,44	105,83	113,00	118,93	123,38	126,56	136,10	142,46								
700	93,60	96,61	98,41	100,02	104,15	108,59	111,26	113,65	120,81	126,74	131,19	134,41	144,01	150,40	158,40							
750	101,05	104,26	106,18	107,83	111,96	116,40	119,07	121,46	128,63	134,56	139,00	142,25	151,91	158,35	166,40	174,45						
800	108,86	112,07	113,99	115,64	119,77	124,22	126,88	129,27	136,44	142,37	146,82	150,09	159,82	166,30	174,40	182,50	190,61					
850	116,67	119,88	121,81	123,46	127,59	132,03	134,69	137,08	144,25	150,18	154,63	157,94	167,72	174,24	182,40	190,55	198,71	206,86				
900	124,48	127,69	129,62	131,27	135,40	139,84	142,51	144,89	152,06	157,99	162,44	165,78	175,63	182,19	190,40	198,60	206,81	215,02	223,22			
950	132,29	135,50	137,43	139,08	143,21	147,65	150,32	152,71	159,87	165,80	170,25	173,62	183,53	190,14	198,40	206,65	214,91	223,17	231,43	239,69		
1000	140,10	143,32	145,24	146,89	151,02	155,46	158,13	160,52	167,69	173,62	178,06	181,47	191,44	198,09	206,40	214,70	223,01	231,32	239,63	247,94	256,25	

Širina / Width (mm)

CENOVNIK ZA REŠETKE  
OBOJENE RAL BOJOM  
PLASTIFICIRANE

PRICE LIST FOR GRILLES  
PAINTED IN RAL COLOUR  
ELECTROSTATICALLY

#### NAPOMENE:

- \* U slučaju kada imamo rešetku 200x800 uzimamo cenu rešetke 800x200.
- \* Za neke specijalne RAL boje postoji dodatak u ceni. Kontaktirajte nas za detaljnije informacije.
- \* Postoji mogućnost skrivene ugradnje zavrtnjima u vrat anemostata (pogledajte sliku).

#### NOTES:

- \* In the case where we have grilles 200X800 we can use the price of 800X200.
- \* For some special RAL colours there is extra charge. Come in touch with us for more information.
- \* Secret fixing is possible with screws in the neck of the diffuser (see drawing).

