

PLAFONSKI ANEMOSTATI CEILING DIFFUSERS



OK1 i OK2

- Plafonske rešetke sa zaobljenim lamelama (1 ili 2 pravca izduvavanja vazduha).
- Ceiling diffuser with adjustable curved blades and 1 or 2 way throw pattern.

DIMENZIJE OTVORA / HOLE DIMENSION

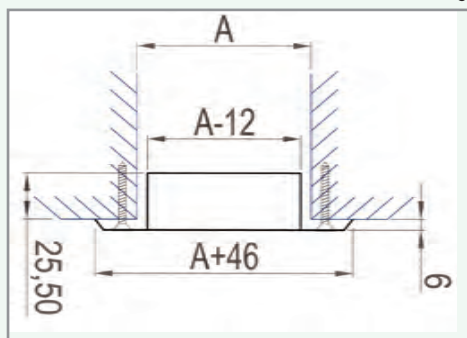
Visina / Height (mm)

	100	125	150	200	250	300	350	400	450	500
200	14,73	14,73	14,73	15,73						
250	14,73	14,73	14,73	16,14	17,99					
300	14,73	14,73	15,01	16,85	19,55	22,52				
350	14,73	15,15	16,14	17,99	20,34	23,22	26,49			
400	15,73	16,85	17,99	20,25	23,36	26,49	29,32	32,85		
450	18,41	19,40	20,12	21,94	24,78	27,48	30,88	34,27	41,36	
500	20,25	21,53	22,52	24,22	27,05	29,88	30,17	38,24	43,48	48,00
550	21,53	22,80	24,78	27,34	30,99	34,39	37,87	41,47	46,28	52,06
600	22,80	24,22	25,92	28,33	32,85	36,12	43,91	48,00	51,27	57,36
650	23,37	25,00	27,90	31,09	35,33	39,23	45,96	51,62	55,94	61,40
700	23,94	25,78	29,88	33,85	37,81	42,35	48,00	55,23	60,62	65,43
750	25,21	27,48	30,88	34,97	39,52	44,19	50,28	57,07	63,31	67,00
800	26,49	29,17	33,71	38,66	44,33	50,28	55,94	61,33	66,70	72,23
850	27,12	30,09	35,19	40,51	46,17	51,91	58,28	62,39	70,25	75,77
900	27,76	31,01	36,68	42,35	48,00	53,54	60,62	63,45	73,79	79,31
950	28,40	32,00	38,10	45,68	50,84	56,59	63,94	68,90	77,90	84,69
1000	29,03	33,00	39,52	49,01	53,67	59,63	67,27	74,36	82,00	90,08
1050	30,03	35,27	39,94	49,42	54,67	61,61	69,40	76,62	83,70	92,06
1100	33,57	37,81	42,06	51,13	58,35	66,28	74,22	82,00	90,08	98,15
1150	34,84	38,66	42,91	51,98	59,91	68,69	74,92	84,97	93,05	101,54
1200	35,83	39,66	44,04	53,11	61,03	69,83	78,04	86,10	94,04	102,68
1250	36,68	40,65	45,08	54,25	62,81	72,37	81,08	89,71	98,22	108,37
1300	37,53	41,64	46,12	55,38	64,58	74,92	84,13	93,33	102,40	114,06
1350	38,38	42,63	47,16	56,51	66,35	77,47	87,17	96,94	106,57	119,75
1400	39,23	43,63	48,20	57,64	68,13	80,02	90,22	100,55	110,75	125,44
1450	40,08	44,62	49,24	58,78	69,90	82,57	93,27	104,17	114,93	131,13
1500	40,94	45,61	50,28	59,91	71,67	85,12	96,31	107,78	119,11	136,82

Širina / Width (mm)

CENOVNIK ZA REŠETKE OD
ELOKSIRANOG ALUMINIJUMA
U PRIRODNOJ BOJI

PRICELIST FOR GRILLES MADE
OF ANODIZED ALUMINIUM
IN NATURAL COLOUR



Visina/ Height (mm)

	100	125	150	200	250	300	350	400	450	500
200	20,48	20,48	20,48	21,48						
250	20,48	20,48	20,48	21,89	23,74					
300	20,48	20,48	20,76	22,60	25,30	28,27				
350	20,48	20,90	21,89	23,74	26,09	28,97	32,24			
400	21,48	22,60	23,74	26,00	29,11	32,24	35,07	38,60		
450	24,16	25,15	25,87	27,69	30,53	33,23	36,63	40,02	47,11	
500	26,00	27,28	28,27	29,96	32,80	35,63	39,92	43,99	49,23	53,75
550	27,28	28,55	30,53	33,09	36,74	40,14	43,62	47,22	52,03	57,81
600	28,55	29,96	31,67	34,08	38,60	41,87	49,66	53,75	57,02	63,11
650	29,12	30,75	33,65	36,84	41,08	44,98	51,71	57,37	61,69	67,25
700	29,69	31,53	35,63	39,60	43,56	48,10	53,75	60,98	66,39	71,67
750	30,96	33,23	36,63	40,72	45,27	49,94	56,02	62,82	69,33	73,38
800	32,24	34,92	39,46	44,41	50,08	56,02	61,69	67,17	73,06	79,11
850	32,87	35,84	40,94	46,25	51,92	57,66	64,03	68,33	76,94	82,98
900	33,51	36,76	42,43	48,10	53,75	59,29	66,39	69,49	80,82	86,86
950	34,15	37,75	43,85	51,43	56,59	62,34	70,03	75,46	85,32	92,76
1000	34,78	38,75	45,27	54,76	59,42	65,38	73,68	81,44	89,81	98,65
1050	35,77	41,02	45,69	55,17	60,42	67,48	76,01	83,92	91,67	100,83
1100	39,32	43,56	47,81	56,88	64,10	72,59	81,28	89,81	98,65	107,49
1150	40,59	44,41	48,66	57,73	65,66	75,23	82,05	93,07	101,91	111,21
1200	41,58	45,41	49,79	58,86	66,85	76,48	85,47	94,30	103,00	112,46
1250	42,43	46,40	50,83	60,00	68,79	79,27	88,81	98,26	107,57	118,69
1300	43,28	47,39	51,87	61,13	70,73	82,06	92,14	102,22	112,15	124,92
1350	44,13	48,38	52,91	62,26	72,67	84,85	95,48	106,17	116,72	131,16
1400	44,98	49,38	53,95	63,39	74,61	87,64	98,81	110,13	121,30	137,39
1450	45,83	50,37	54,99	64,53	76,55	90,43	102,15	114,09	125,87	143,62
1500	46,69	51,36	56,02	65,66	78,50	93,22	105,48	118,04	130,45	149,85

Širina / Width (mm)

CENOVNIK ZA REŠETKE
OBOJENE RAL BOJOM
PLASTIFICIRANE

PRICE LIST FOR GRILLES
PAINTED IN RAL COLOUR
ELECTROSTATICALLY

NAPOMENA:

* U slučaju kada imamo rešetku npr. 200x800 uzimamo cenu za rešetku 800x200.

* Za neke specijalne RAL boje postoji dodatak u ceni. Pozovite nas za detaljnije informacije.

* Postoji mogućnost skrivene ugradnje sa „Π” ramom (strana P2, crtež 1B) uz doplatu.

NOTES:

* In the case where we have a grille i.e. 200x800 we can use the price of 800x200.

* For some special RAL colours there is extra charge. Call us for more information.

* Secret fixing is possible with with "Π" frame (page P2, drawing 1B) with extra charge.



OK1-D i OK2-D

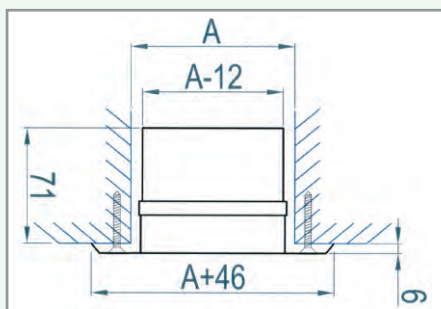
- Plafonski anemostat sa zaobljenim lamelma (1 ili 2 pravca izduvavanja vazduha). Sa damperom za regulaciju protoka vazduha.
- Ceiling diffuser with adjustable curved blades and 1 or 2 way throw pattern. With opposed blade damper for regulation of air flow.

DIMENZIJE OTVORA / HOLE DIMENSION Visina/ Height (mm)

	100	125	150	200	250	300	350	400	450	500
200	22,85	22,85	22,85	23,80						
250	22,85	22,85	22,85	25,07	27,62					
300	22,85	22,85	23,94	26,63	30,03	33,85				
350	22,85	24,07	25,92	28,66	31,66	35,97	40,51			
400	24,53	26,63	28,65	31,73	34,75	40,65	44,80	50,28		
450	28,07	30,03	31,63	34,41	37,15	43,06	47,74	53,45	62,89	
500	30,75	33,01	34,90	37,39	40,95	46,89	48,71	59,10	66,66	72,79
550	32,88	35,13	37,92	41,41	45,87	52,80	57,56	63,99	71,22	78,70
600	35,00	37,40	39,99	43,35	48,52	55,91	65,01	72,27	78,04	86,68
650	35,99	38,53	42,12	46,59	52,21	59,16	67,91	76,57	83,90	92,57
700	36,97	39,66	44,25	49,84	55,89	62,41	70,81	80,88	89,76	98,46
750	38,52	41,78	45,92	52,11	59,06	65,72	75,77	85,83	95,60	103,82
800	40,65	44,12	49,65	57,36	66,42	75,34	86,67	93,61	101,40	109,63
850	41,65	45,71	51,82	60,05	69,61	78,54	90,00	97,09	107,64	117,27
900	42,64	47,29	53,99	62,74	72,80	81,73	93,34	100,56	113,87	124,91
950	43,76	49,42	56,53	67,84	77,18	86,55	98,79	108,21	121,16	135,39
1000	44,89	51,54	59,06	72,94	81,57	91,36	104,24	115,85	128,46	145,88
1050	46,75	54,71	62,17	74,49	83,70	94,19	108,07	119,95	132,84	145,46
1100	50,72	57,65	65,61	77,46	87,86	100,12	114,58	126,48	139,56	152,40
1150	52,83	59,48	67,00	78,74	90,94	103,11	116,26	131,44	144,88	159,32
1200	54,25	61,32	68,96	81,58	93,17	107,65	121,51	134,53	149,13	163,15
1250	55,93	63,56	71,68	83,77	96,69	112,25	127,49	141,40	156,73	172,64
1300	57,60	65,81	74,40	85,97	100,21	116,86	133,46	148,28	164,34	182,13
1350	59,28	68,06	77,11	88,16	103,73	121,46	139,44	155,15	171,94	191,62
1400	60,96	70,30	79,83	90,35	107,26	126,07	145,41	162,02	179,54	201,11
1450	62,63	72,55	82,54	92,55	110,78	130,67	151,39	168,90	187,14	210,60
1500	64,31	74,79	85,26	94,74	114,30	135,28	157,36	175,77	194,74	220,09

CENOVNIK ZA REŠETKE OD
ELOKSIRANOG ALUMINIJUMA
U PRIRODNOJ BOJI

PRICELIST FOR GRILLES MADE
OF ANODIZED ALUMINIUM
IN NATURAL COLOUR



Širina / Width (mm)

Visina / Height (mm)

	100	125	150	200	250	300	350	400	450	500
200	28,60	28,60	28,60	29,55						
250	28,60	28,60	28,60	30,82	33,37					
300	28,60	28,60	29,69	32,38	35,77	39,60				
350	28,60	29,82	31,67	34,41	37,41	41,72	46,26			
400	30,28	32,38	34,40	37,48	40,50	46,40	50,55	56,03		
450	33,82	35,77	37,38	40,16	42,90	48,81	53,49	59,19	68,64	
500	36,50	38,76	40,65	43,14	46,69	52,64	54,46	64,85	72,41	78,54
550	38,63	40,88	43,67	47,16	51,62	58,55	63,31	69,74	76,97	84,45
600	40,75	43,15	45,74	49,10	54,27	61,66	70,76	78,02	83,79	92,43
650	41,74	44,28	47,87	52,34	57,96	64,91	73,66	82,32	89,65	98,42
700	42,72	45,41	50,00	55,59	61,64	68,16	76,56	86,63	95,54	104,69
750	44,27	47,53	51,67	57,86	64,81	71,47	81,52	91,58	101,63	110,21
800	46,40	49,87	55,40	63,11	72,17	81,09	92,42	99,46	107,75	116,50
850	47,39	51,46	57,57	65,80	75,36	84,29	95,75	103,03	114,33	124,48
900	48,39	53,04	59,74	68,49	78,55	87,48	99,11	106,60	120,90	132,46
950	49,51	55,17	62,28	73,59	82,93	92,30	104,88	114,77	128,58	143,46
1000	50,64	57,29	64,81	78,69	87,32	97,11	110,65	122,93	136,27	154,46
1050	52,50	60,46	67,92	80,24	89,45	100,06	114,68	127,25	140,81	154,23
1100	56,47	63,40	71,36	83,21	93,61	106,44	121,65	134,29	148,13	161,74
1150	58,58	65,23	72,75	84,49	96,69	109,66	123,39	139,53	153,74	168,99
1200	60,00	67,07	74,71	87,33	98,98	114,30	128,94	142,73	158,09	172,93
1250	61,68	69,31	77,43	89,52	102,67	119,15	135,21	149,95	166,09	182,96
1300	63,35	71,56	80,15	91,72	106,36	123,99	141,47	157,17	174,09	192,99
1350	65,03	73,81	82,86	93,91	110,05	128,84	147,74	164,38	182,09	203,02
1400	66,71	76,05	85,58	96,10	113,74	133,69	154,01	171,60	190,09	213,06
1450	68,38	78,30	88,29	98,30	117,43	138,54	160,27	178,82	198,09	223,09
1500	70,06	80,54	91,01	100,49	121,13	143,38	166,54	186,03	206,09	233,12

Širina / Width (mm)

CENOVNIK ZA REŠETKE
OBOJENE RAL BOJOM
PLASTIFICIRANE

PRICE LIST FOR GRILLES
PAINTED IN RAL COLOUR
ELECTROSTATICALLY

NAPOMENA:

* U slučaju kada imamo rešetku npr. 200x800 uzimamo cenu za rešetku 800x200.

* Za neke specijalne RAL boje postoji dodatak u ceni. Pozovite nas za detaljnije informacije.

* Postoji mogućnost skrivene ugradnje sa „П” ramom (strana P2, crtež 1B) uz doplatu.

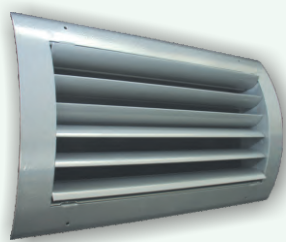
NOTES:

* In the case where we have a grille i.e. 200x800 we can use the price of 800x200.

* For some special RAL colours there is extra charge. Call us for more information.

* Secret fixing is possible with with "П" frame (page P2, drawing 1B) with extra charge.

3



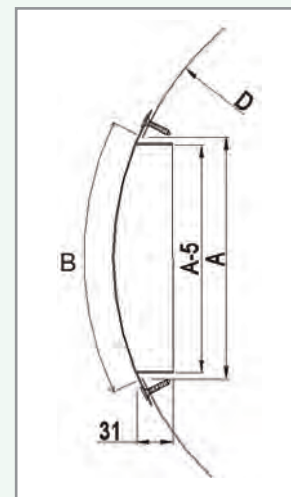
OK1-SR i OK2-SR

- Rešetka sa zakrivljenim ramom za direktnu montažu na okrugli kanal i podesivim lamelama (1 ili 2 pravca izduvavanja vazduha).
- Diffuser with rounded frame for direct installation in round duct, adjustable curved blades and 1 or 2 way throw pattern.

DIMENZIJE OTVORA / HOLE DIMENSION

Visina / Height (mm)

	100	125	150	200	250	300
300	23,03	25,34	27,12			
350	25,34	27,38	29,17			
400	28,42	30,46	32,51	36,59		
450	33,28	35,06	36,36	39,66		
500	36,59	38,90	40,70	43,76	48,89	
550	38,90	41,19	44,79	49,40	56,00	
600	41,19	43,76	46,84	51,20	59,37	65,27
650	42,23	45,17	50,42	56,18	63,85	70,90
700	43,26	46,58	54,00	61,17	68,33	76,52
750	45,56	49,66	55,80	63,20	71,41	79,86
800	47,86	52,72	60,91	69,87	80,12	90,85



CENOVNIK ZA REŠETKE SA
LAMELAMA OD
ELOKSIRANOG ALUMINIJUMA
I RAMOM OD POCINKOVANOG
ČELIČNOG LIMA

PRICELIST FOR GRILLES
WITH BLADES MADE FROM
ANODIZED ALUMINUM AND
FRAME MADE FROM
GALVANIZED STEEL SHEET

Širina / Width (mm)

Visina / Height (mm)

	100	125	150	200	250	300
300	29,65	31,95	33,73			
350	31,95	33,99	35,79			
400	35,03	37,07	39,12	43,21		
450	39,89	41,67	42,97	46,27		
500	43,21	45,52	47,31	50,37	55,50	
550	45,52	47,81	51,40	56,02	62,62	
600	47,81	50,37	53,45	57,81	65,98	71,88
650	48,84	51,78	57,03	62,80	70,47	77,99
700	49,88	53,19	60,62	67,78	75,17	84,18
750	52,17	56,27	62,41	69,82	78,55	87,84
800	54,48	59,33	67,52	76,86	88,13	99,94

CENOVNIK ZA REŠETKE
OBOJENE RAL BOJOM
PLASTIFICIRANE

PRICE LIST FOR GRILLES
PAINTED IN RAL COLOUR
ELECTROSTATICALLY

Širina / Width (mm)

NAPOMENE:

- * U slučaju kada imamo rešetku 200X800 uzimamo cenu rešetke 800X200.
- * Za neke specijalne RAL boje postoji dodatak u ceni. Kontaktirajte nas za detaljnije informacije.
- * Za informaciju o dužini luka B pogledati tabelu 1 na strani P1.
- * Za minimalni prečnik kružnog kanala kod -SR rešetki pogledati tabelu 2 na strani P1.

NOTES:

- * In the case where we have grilles 200X800 we can use the price of 800X200.
- * For some special RAL colours there is extra charge. Come in touch with us for more information.
- * For the arc length B see table 1, page P1.
- * For the minimum air duct diameter of the -SR grilles see table 2, page P1.



OK1-AUTH i OK2-AUTH

- Plafonska rešetka sa podesivim kružnim lamelama i 1 ili 2 pravca izduvavanja vazduha. Sa mehanizmom za automatsko podešavanje ugla lamela zavisno od temperature vazduha (1/2 pravca za izduvavanje kod hlađenja i vertikalno izduvavnje kod grejanja) bez električne energije.
- Ceiling diffuser with adjustable curved blades and 1 or 2 way throw pattern. With mechanism for the automatic adjustment of the blades angle according to the supply air temperature (1/2 way throw pattern in cooling and vertical throw in heating) without need of electric power.

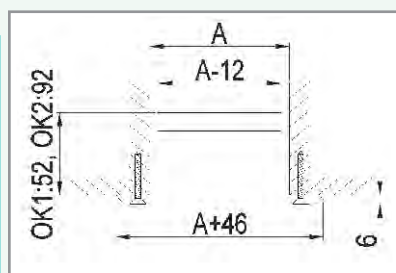
MOGUĆE DIMENZIJE / POSSIBLE DIMENSIONS

Visina / Height

	200	250	300
200			
250			
300			
350			
400			

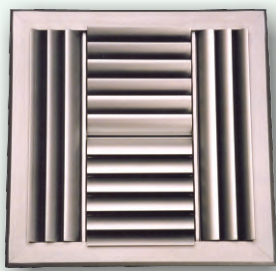
Širina / Width

TIP/ TYPE	DODATAK U CENU ZA OK1&OK2 ADDITIONAL CHARGE TO OK1&OK2
OK1/OK2-AUTH	57,35 €



Rešetke OK1/OK2 AUTH napravljene su samo od eloksanog aluminijuma, bojenje nije moguæe
The grilles OK1/OK2-AUTH manufactured only by anodized aluminium, painting is not possible.

PLAFONSKI ANEMOSTATI CEILING DIFFUSERS



OK3 i OK4

- Plafonski anemostati sa zaobljenim lamelama (3 ili 4 pravca izbacivanja vazduha).
- Ceiling diffuser with adjustable curved blades and 3 or 4 way throw pattern.

CENOVNIK ZA REŠETKE OD
ELOKSIRANOG ALUMINIJUMA
U PRIRODNOJ BOJI

PRICELIST FOR GRILLES MADE
OF ANODIZED ALUMINIUM
IN NATURAL COLOUR

Širina / Width (mm)

		DIMENZIJE OTVORA/ HOLE DIMENSION Visina / Height (mm)									
		100	125	150	200	250	300	350	400	450	500
200		17,85	17,85	17,85	18,70						
250		17,85	17,85	17,85	20,96	24,22					
300		17,85	17,85	19,40	22,80	26,34	29,74				
350		17,85	19,12	20,82	24,51	28,04	31,58	35,27			
400		18,55	20,39	22,24	25,92	29,74	33,42	37,10	40,79		
450		19,97	21,81	23,79	27,48	31,16	34,97	38,81	42,63	46,31	
500		21,24	23,22	25,07	28,89	32,85	36,54	40,37	44,19	47,87	52,82
550		22,80	24,78	27,05	31,39	35,66	39,97	44,28	48,49	52,89	57,31
600		23,94	26,34	28,76	32,85	38,66	43,48	48,30	53,67	58,06	62,88
650		25,28	27,97	30,67	35,62	41,56	46,88	52,26	58,20	63,02	68,41
700		26,63	29,60	32,58	38,39	44,47	50,28	56,23	62,74	67,98	73,93
750		28,04	29,88	34,42	40,79	47,16	53,40	60,19	66,57	72,94	79,46
800		29,32	32,85	36,25	43,20	50,13	57,07	64,02	70,95	77,89	84,83
850		30,66	34,42	38,17	45,60	53,11	60,54	67,98	75,49	79,80	90,43
900		32,00	35,98	40,08	48,00	56,09	64,02	71,94	80,03	81,72	96,03
950		33,35	37,60	41,92	50,41	58,99	67,42	75,91	84,48	90,43	101,55
1000		34,70	39,23	43,76	52,82	61,89	70,82	79,88	88,94	99,13	107,07
1050		35,98	40,79	45,61	55,23	64,86	74,78	83,85	93,33	102,96	112,59
1100		37,53	42,35	47,59	57,64	67,70	77,75	87,95	97,86	107,92	118,12
1150		38,81	44,04	49,42	59,91	70,53	80,58	91,64	102,25	112,88	123,64
1200		40,08	45,46	51,13	62,31	73,36	84,55	95,60	106,79	117,97	129,17
1250		41,45	47,11	53,01	64,70	76,29	87,97	99,59	111,27	122,98	134,69
1300		42,82	48,76	54,90	67,08	79,22	91,40	103,58	115,76	127,98	140,21
1350		44,19	50,42	56,79	69,47	82,14	94,82	107,57	120,24	132,99	145,73
1400		45,56	52,07	58,68	71,85	85,07	98,24	111,56	124,73	137,99	151,26
1450		46,93	53,72	60,57	74,23	87,99	101,67	115,54	129,21	143,00	156,78
1500		48,30	55,38	62,45	76,62	90,92	105,09	119,53	133,70	148,01	162,30

Visina / Height (mm)

		CENOVNIK ZA REŠETKE OBOJENE RAL BOJOM PLASTIFICIRANE									
		100	125	150	200	250	300	350	400	450	500
200		23,60	23,60	23,60	24,45						
250		23,60	23,60	23,60	26,71	29,96					
300		23,60	23,60	25,15	28,55	32,09	35,49				
350		23,60	24,87	26,57	30,26	33,79	37,33	41,02			
400		24,30	26,14	27,99	31,67	35,49	39,17	42,85	46,54		
450		25,72	27,56	29,54	33,23	36,91	40,72	44,56	48,38	52,06	
500		26,99	28,97	30,82	34,64	38,60	42,29	46,12	49,94	53,62	58,57
550		28,55	30,53	32,80	37,14	41,41	45,72	50,03	54,24	58,64	63,06
600		29,69	32,09	34,51	38,60	44,41	49,23	54,05	59,42	63,81	68,87
650		31,03	33,72	36,42	41,37	47,31	52,63	58,01	63,95	69,02	74,92
700		32,38	35,35	38,33	44,14	50,21	56,02	61,98	68,71	74,45	80,97
750		33,79	35,63	40,17	46,54	52,91	59,15	65,94	72,91	79,88	87,03
800		35,07	38,60	42,00	48,95	55,88	62,82	70,11	77,71	85,31	92,91
850		36,41	40,17	43,92	51,35	58,86	66,31	74,45	82,68	87,40	99,04
900		37,75	41,73	45,83	53,75	61,84	70,11	78,80	87,65	89,50	105,17
950		39,10	43,35	47,67	56,16	64,74	73,84	83,14	92,53	99,04	111,22
1000		40,45	44,98	49,51	58,57	67,78	77,56	87,49	97,41	108,57	117,27
1050		41,73	46,54	51,36	60,98	71,03	81,91	91,83	102,22	112,77	123,31
1100		43,28	48,10	53,34	63,39	74,14	85,16	96,32	107,18	118,20	129,37
1150		44,56	49,79	55,17	65,66	77,24	88,26	100,36	111,99	123,63	135,41
1200		45,83	51,21	56,88	68,25	80,35	92,60	104,71	116,96	129,21	141,47
1250		47,20	52,86	58,76	70,86	83,56	96,35	109,07	121,87	134,69	147,52
1300		48,57	54,51	60,65	73,47	86,76	100,10	113,44	126,78	140,17	153,57
1350		49,94	56,17	62,54	76,08	89,96	103,85	117,81	131,69	145,65	159,61
1400		51,31	57,82	64,43	78,69	93,17	107,60	122,18	136,61	151,14	165,66
1450		52,68	59,47	66,33	81,30	96,37	111,35	126,55	141,52	156,62	171,71
1500		54,05	61,13	68,40	83,92	99,58	115,10	130,92	146,43	162,10	177,76

CENOVNIK ZA REŠETKE
OBOJENE RAL BOJOM
PLASTIFICIRANE

PRICE LIST FOR GRILLES
PAINTED IN RAL COLOUR
ELECTROSTATICALLY

NAPOMENA:

* U slučaju kada imamo rešetku npr. 200x800 uzimamo cenu za rešetku 800x200.

* Za neke specijalne RAL boje postoji dodatak u ceni. Pozovite nas za detaljnije informacije.

* Postoji mogućnost skrivene ugradnje sa „Π” ramom (strana P2, crtež 1B) uz doplatu.

NOTES:

* In the case where we have a grille i.e. 200x800 we can use the price of 800x200.

* For some special RAL colours there is extra charge. Call us for more information.

* Secret fixing is possible with "Π" frame (page P2, drawing 1B) with extra charge.



OK3-D i OK4-D

- Plafonski anemostati sa zaobljenim lamelama (3 ili 4 pravca iz bacivanja vazduha). Sa damperom za regulaciju protoka vazduha.
- Ceiling diffuser with adjustable curved blades and 3 or 4 way throw pattern. With opposed blade damper for regulation of air flow.

DIMENZIJE OTVORA / HOLE DIMENSION

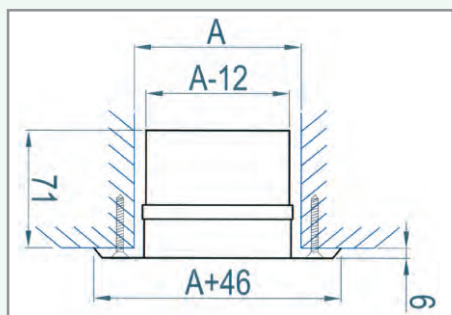
Visina/ Height (mm)

	100	125	150	200	250	300	350	400	450	500
200	25,97	25,97	25,97	26,77						
250	25,97	25,97	25,97	29,88	33,85					
300	25,97	25,97	28,33	32,57	36,82	41,07				
350	25,97	28,05	30,59	35,18	39,36	44,32	49,29			
400	27,35	30,17	32,90	37,40	41,12	47,59	52,58	58,22		
450	29,62	32,44	35,31	39,94	43,53	50,56	55,67	61,80	67,84	
500	31,75	34,70	37,44	42,06	46,75	53,55	58,91	65,06	71,06	77,60
550	34,15	37,11	40,19	45,46	50,54	58,38	63,97	71,01	77,82	83,94
600	36,15	39,53	42,83	47,87	54,33	63,27	69,40	77,93	84,83	92,19
650	37,90	41,50	44,89	51,13	58,44	66,80	74,22	83,16	90,98	99,58
700	39,66	43,48	46,94	54,38	62,54	70,34	79,03	88,38	97,12	106,96
750	41,35	44,18	49,46	57,93	66,70	74,93	85,68	95,33	105,23	116,29
800	43,48	47,81	52,20	61,90	72,22	82,14	94,74	103,24	112,59	122,23
850	45,18	50,03	54,80	65,15	76,55	87,17	99,70	110,19	117,20	131,93
900	46,88	52,26	57,40	68,40	80,88	92,20	104,67	117,14	121,80	141,63
950	48,72	55,02	60,35	72,57	85,33	97,38	110,76	123,79	133,69	152,25
1000	50,56	57,78	63,31	76,75	89,78	102,55	116,85	130,43	145,58	162,87
1050	52,70	60,24	67,84	80,30	93,89	107,36	122,52	136,66	152,10	165,98
1100	54,68	62,18	71,14	83,97	97,21	111,60	128,31	142,34	157,40	172,37
1150	56,80	64,86	73,51	86,67	101,55	115,01	132,98	148,72	164,72	181,42
1200	58,51	67,12	76,05	90,78	105,50	122,37	139,07	155,22	173,06	189,63
1250	60,70	70,03	79,62	94,22	110,17	127,85	145,99	162,96	181,49	198,96
1300	62,90	72,93	83,18	97,67	114,85	133,33	152,91	170,71	189,92	208,28
1350	65,09	75,84	86,74	101,11	119,52	138,81	159,83	178,45	198,35	217,60
1400	67,28	78,75	90,31	104,56	124,20	144,29	166,75	186,20	206,78	226,93
1450	69,48	81,65	93,87	108,01	128,87	149,77	173,67	193,94	215,21	236,25
1500	71,67	84,56	97,44	111,45	133,55	155,25	180,59	201,69	223,64	245,58

CENOVNIK ZA REŠETKE OD
ELOKSIRANOG ALUMINIJUMA
U PRIRODNOJ BOJI

PRICELIST FOR GRILLES MADE
OF ANODIZED ALUMINIUM
IN NATURAL COLOUR

Širina / Width (mm)



Visina / Height (mm)

	100	125	150	200	250	300	350	400	450	500
200	31,72	31,72	31,72	32,52						
250	31,72	31,72	31,72	35,63	39,60					
300	31,72	31,72	34,08	38,32	42,57	46,82				
350	31,72	33,80	36,34	40,93	45,11	50,07	55,04			
400	33,10	35,92	38,65	43,15	46,87	53,34	58,33	63,97		
450	35,37	38,19	41,05	45,69	49,28	56,31	61,42	67,55	73,59	
500	37,50	40,45	43,19	47,81	52,50	59,30	64,66	70,81	76,81	83,35
550	39,90	42,86	45,94	51,21	56,29	64,13	69,72	76,76	83,57	89,69
600	41,90	45,28	48,58	53,62	60,08	69,02	75,15	83,68	90,58	98,18
650	43,65	47,25	50,64	56,88	64,19	72,55	79,97	88,91	96,98	106,09
700	45,41	49,23	52,69	60,13	68,29	76,09	84,78	94,36	103,60	114,00
750	47,10	49,93	55,21	63,68	72,45	80,68	91,43	101,67	112,18	123,85
800	49,23	53,56	57,95	67,65	77,97	87,89	100,84	110,00	120,00	130,31
850	50,93	55,78	60,55	70,90	82,30	92,94	106,18	117,38	124,80	140,54
900	52,63	58,01	63,15	74,15	86,63	98,30	111,52	124,76	129,59	150,77
950	54,47	60,77	66,10	78,32	91,08	103,80	117,99	131,83	142,31	161,92
1000	56,31	63,53	69,06	82,50	95,68	109,29	124,46	138,90	155,02	173,07
1050	58,45	65,99	73,59	86,05	100,07	114,49	130,51	145,55	161,91	176,71
1100	60,43	67,93	76,89	89,72	103,66	119,01	136,69	151,66	167,68	183,62
1150	62,54	70,61	79,26	92,42	108,27	122,68	141,71	158,45	175,47	193,19
1200	64,26	72,87	81,80	96,71	112,49	130,42	148,18	165,39	184,30	201,93
1250	66,45	75,78	85,37	100,38	117,44	136,23	155,48	173,56	193,20	211,78
1300	68,65	78,68	88,93	104,06	122,39	142,04	162,78	181,73	202,11	221,63
1350	70,84	81,59	92,49	107,73	127,35	147,84	170,07	189,90	211,02	231,48
1400	73,03	84,50	96,06	111,40	132,30	153,65	177,37	198,08	219,92	241,33
1450	75,23	87,40	99,64	115,08	137,25	159,46	184,67	206,25	228,83	251,18
1500	77,42	90,31	103,39	118,75	142,21	165,26	191,97	214,42	237,74	261,03

Širina / Width (mm)

CENOVNIK ZA REŠETKE
OBOJENE RAL BOJOM
PLASTIFICIRANE

PRICE LIST FOR GRILLES
PAINTED IN RAL COLOUR
ELECTROSTATICALLY

NAPOMENA:

- * U slučaju kada imamo rešetku npr. 200x800 uzimamo cenu za rešetku 800x200.
- * Za neke specijalne RAL boje postoji dodatak u ceni. Pozovite nas za detaljnije informacije.
- * Postoji mogućnost skrivene ugradnje sa „I” ramom (strana P2, crtež 1B) uz doplatu.

NOTES:

- * In the case where we have a grille i.e. 200x800 we can use the price of 800x200.
- * For some special RAL colours there is extra charge. Call us for more information.
- * Secret fixing is possible with with "I" frame (page P2, drawing 1B) with extra charge.

3