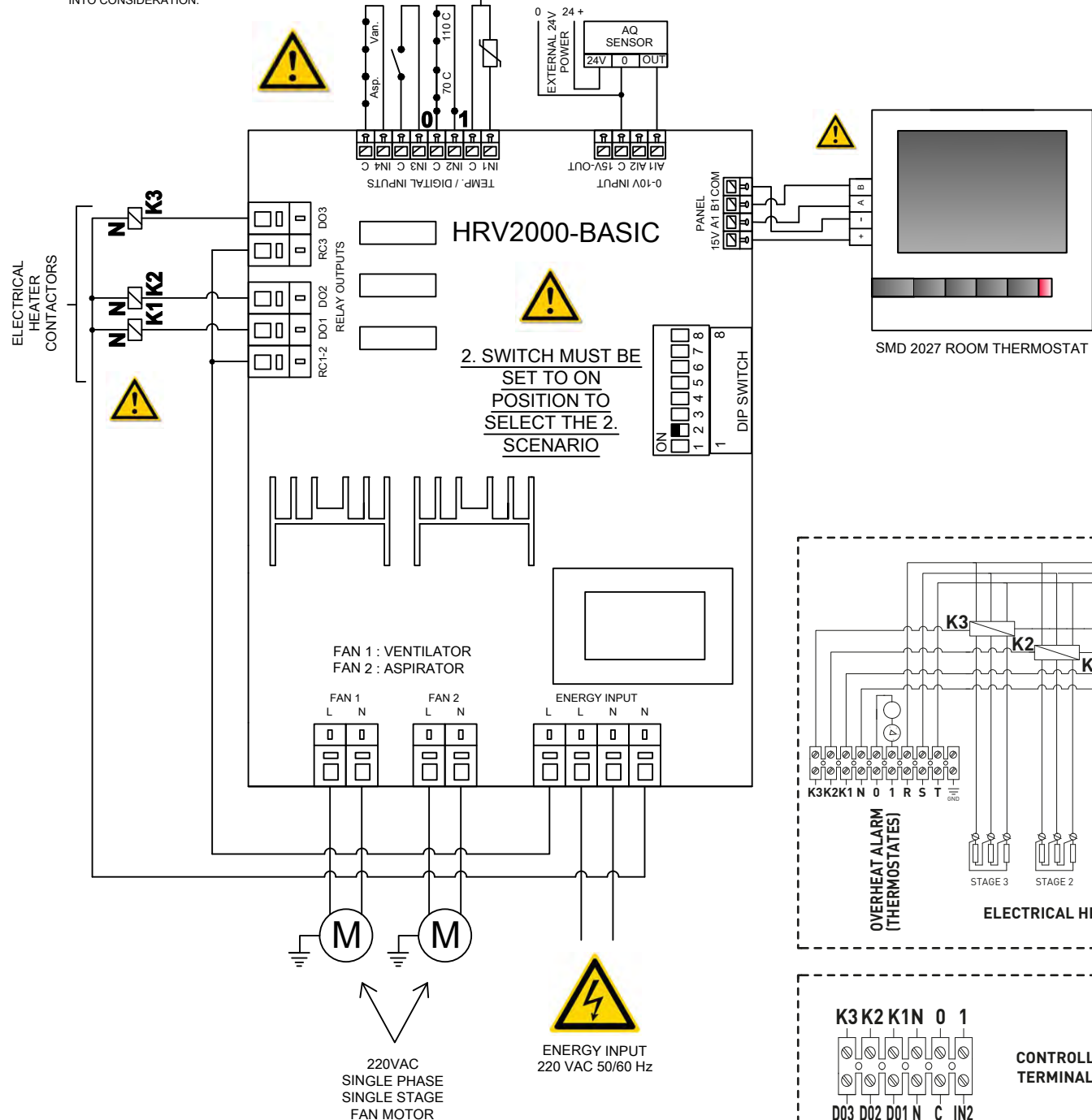


OPTIONAL NTC10K RETURN AIR TEMPERATURE SENSOR PORT. IF IT IS NOT CONNECTED, TEMPERATURE VALUE READ FROM THE PANEL, TAKEN INTO CONSIDERATION.



ALERTS AND ALARMS MENU

* DISCONNECT THE POWER OF THE DEVICE, BEFORE MAKING OR CHANGING CABLE CONNECTIONS.

* DISCONNECT THE POWER OF THE DEVICE, BEFORE CHANGING SCENARIO VIA DIPSWITCH.

* CHECK THERMOSTAT CONNECTIONS, BEFORE OPERATING THE DEVICE.

* IF THE AIR QUALITY SENSOR SUPPLY VOLTAGE 15VDC, 15V-OUT IS AVAILABLE ON THE CARD. THERE IS NO NEED FOR AN EXTERNAL POWER SUPPLY.

* IN2-0 ELECTRICAL HEATER OVER HEAT ALARM(NC)

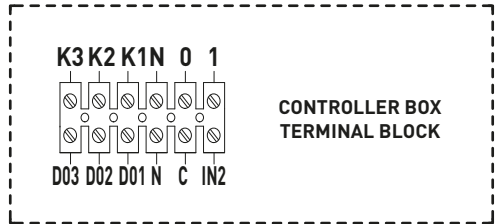
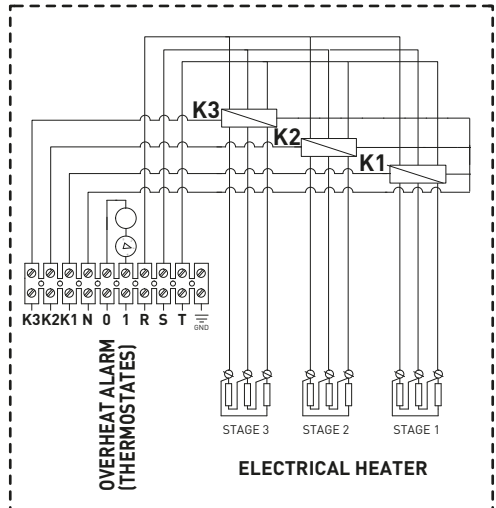
IT MUST BE CONNECTED TO THE NC TERMINAL OF SAFETY THERMOSTAT. IF IT IS NOT CONNECTED, AL:02 ALARM HAPPENS. IF IT IS NOT USED, INPUT MUST BE CONNECTED TO GND(C).

* IN3-C FILTER DIRTY ALARM(NO)

IT MUST BE CONNECTED TO THE NO TERMINAL OF DPS CONTACTS. IF THE INPUT IS CONNECTED TO GND, AL:03 ALARM HAPPENS. IN SCENARIOS WHERE DOES NOT CONTAIN DPS CONTACT, AT THE END OF THE SET TIME AL:03 ALARM HAPPENS.

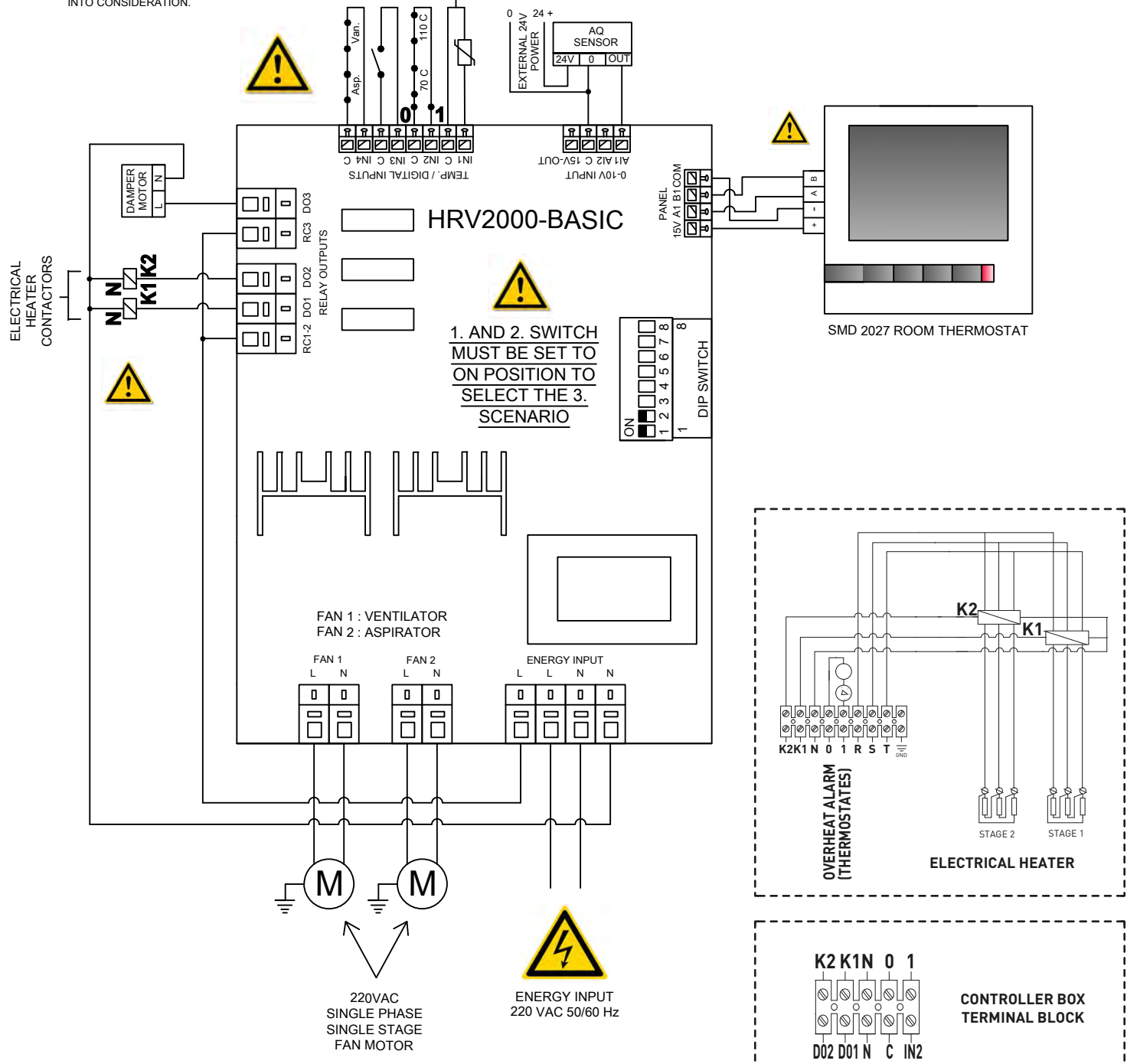
* IN4-C FAN ALARM (NC)

IT MUST BE CONNECTED TO THE NC TERMINAL OF THERMAL CONTACTS. IF IT IS NOT CONNECTED, AL:01 ALARM HAPPENS. IF IT IS NOT USED, INPUT MUST BE CONNECTED TO GND(C).

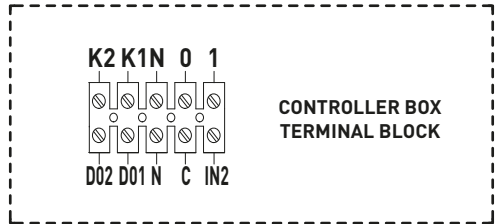
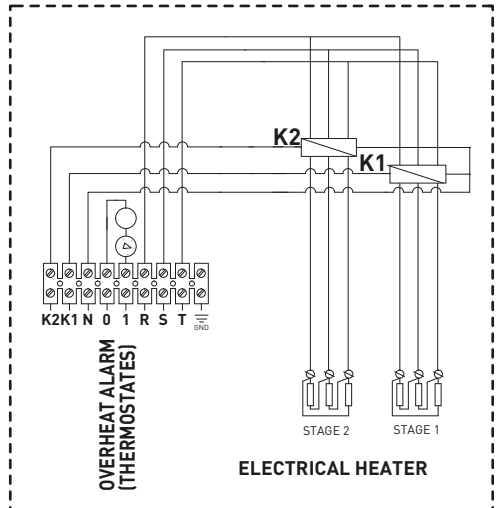


SCENARIO 2: (JRH72N) VENTILATION+ELECTRIC HEATING

OPTIONAL NTC10K RETURN AIR TEMPERATURE SENSOR PORT. IF IT IS NOT CONNECTED, TEMPERATURE VALUE READ FROM THE PANEL, TAKEN INTO CONSIDERATION.



1. AND 2. SWITCH MUST BE SET TO ON POSITION TO SELECT THE 3. SCENARIO



ALERTS AND ALARMS MENU

* DISCONNECT THE POWER OF THE DEVICE, BEFORE MAKING OR CHANGING CABLE CONNECTIONS.

* DISCONNECT THE POWER OF THE DEVICE, BEFORE CHANGING SCENARIO VIA DIPSWITCH.

* CHECK THERMOSTAT CONNECTIONS, BEFORE OPERATING THE DEVICE.

* IF THE AIR QUALITY SENSOR SUPPLY VOLTAGE 15VDC, 15V-OUT IS AVAILABLE ON THE CARD. THERE IS NO NEED FOR AN EXTERNAL POWER SUPPLY.

* DAMPER MOTOR MUST BE IN THE ON/OFF AND SPRING RETURN PROPERTY. DAMPER OUT IS DESIGNED TO BE 220V. IF NECESSARY, THE CONTROL VOLTAGE CAN BE CHANGED BY RC3 TERMINAL.

* IN2-0 ELECTRICAL HEATER OVER HEAT ALARM(NC)
IT MUST BE CONNECTED TO THE NC TERMINAL OF SAFETY THERMOSTAT. IF IT IS NOT CONNECTED, AL:02 ALARM HAPPENS. IF IT IS NOT USED, INPUT MUST BE CONNECTED TO GND(C).

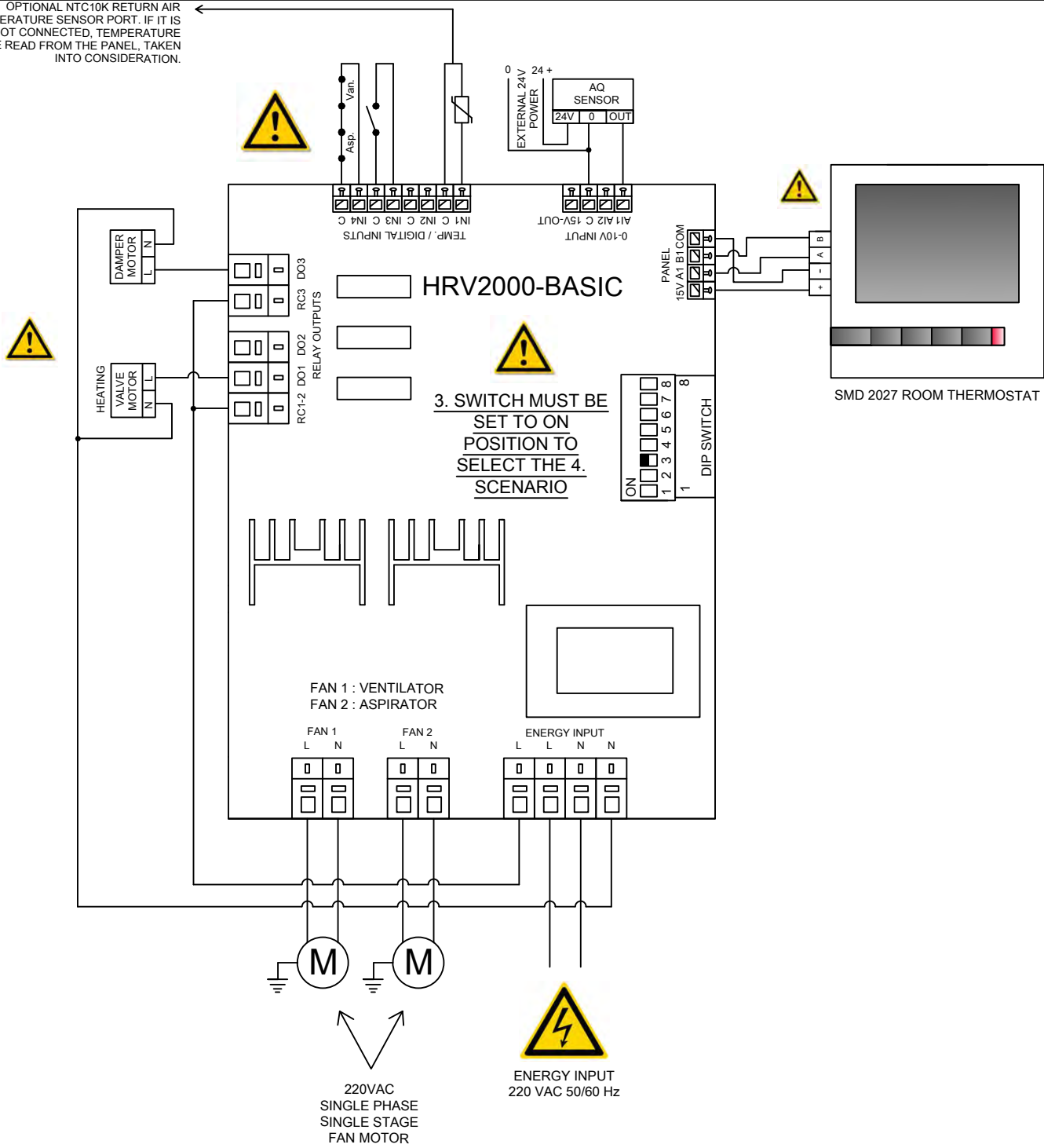
* IN3-C FILTER DIRTY ALARM(NO)
IT MUST BE CONNECTED TO THE NO TERMINAL OF DPS CONTACTS. IF THE INPUT IS CONNECTED TO GND, AL:03 ALARM HAPPENS. IN SCENARIOS WHERE DOES NOT CONTAIN DPS CONTACT, AT THE END OF THE SET TIME AL:03 ALARM HAPPENS.

* IN4-C FAN ALARM (NC)
IT MUST BE CONNECTED TO THE NC TERMINAL OF THERMAL CONTACTS. IF IT IS NOT CONNECTED, AL:01 ALARM HAPPENS. IF IT IS NOT USED, INPUT MUST BE CONNECTED TO GND(C).



SCENARIO 3: VENTILATION+ELECTRIC HEATING+DAMPER

OPTIONAL NTC10K RETURN AIR TEMPERATURE SENSOR PORT. IF IT IS NOT CONNECTED, TEMPERATURE VALUE READ FROM THE PANEL, TAKEN INTO CONSIDERATION.



3. SWITCH MUST BE SET TO ON POSITION TO SELECT THE 4. SCENARIO



ALERTS AND ALARMS MENU

* DISCONNECT THE POWER OF THE DEVICE, BEFORE MAKING OR CHANGING CABLE CONNECTIONS.

* DISCONNECT THE POWER OF THE DEVICE, BEFORE CHANGING SCENARIO VIA DIPSWITCH.

* CHECK THERMOSTAT CONNECTIONS, BEFORE OPERATING THE DEVICE.

* IF THE AIR QUALITY SENSOR SUPPLY VOLTAGE 15VDC, 15V-OUT IS AVAILABLE ON THE CARD, THERE IS NO NEED FOR AN EXTERNAL POWER SUPPLY.

* DAMPER MOTOR MUST BE IN THE ON/OFF AND SPRING RETURN PROPERTY. DAMPER OUT IS DESIGNED TO BE 220V. IF NECESSARY, THE CONTROL VOLTAGE CAN BE CHANGED BY RC3 TERMINAL.

* VALVE MOTOR MUST BE IN THE ON/OFF PROPERTY. VALVE MOTOR OUT IS DESIGNED TO BE 220V. IF NECESSARY, THE CONTROL VOLTAGE CAN BE CHANGED BY RC1-2 TERMINAL.

* IN3-C FILTER DIRTY ALARM(NO)

IT MUST BE CONNECTED TO THE NO TERMINAL OF DPS CONTACTS. IF THE INPUT IS CONNECTED TO GND, AL:03 ALARM HAPPENS. IN SCENARIOS WHERE DOES NOT CONTAIN DPS CONTACT, AT THE END OF THE SET TIME AL:03 ALARM HAPPENS.

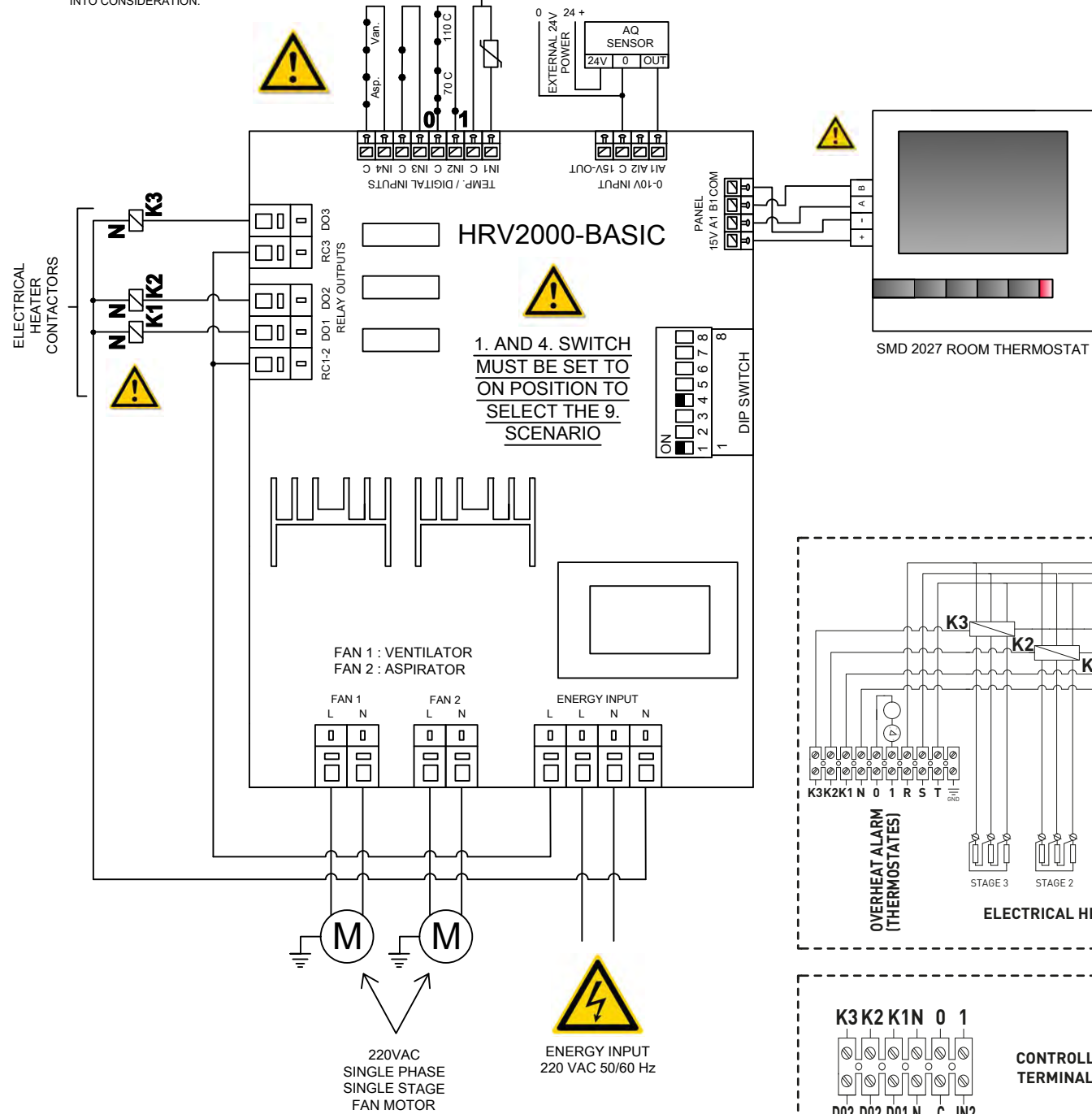
* IN4-C FAN ALARM (NC)

IT MUST BE CONNECTED TO THE NC TERMINAL OF THERMAL CONTACTS. IF IT IS NOT CONNECTED, AL:01 ALARM HAPPENS. IF IT IS NOT USED, INPUT MUST BE CONNECTED TO GND(C).



SCENARIO 4: VENTILATION+WATER HEATING+DAMPER

OPTIONAL NTC10K RETURN AIR TEMPERATURE SENSOR PORT. IF IT IS NOT CONNECTED, TEMPERATURE VALUE READ FROM THE PANEL, TAKEN INTO CONSIDERATION.

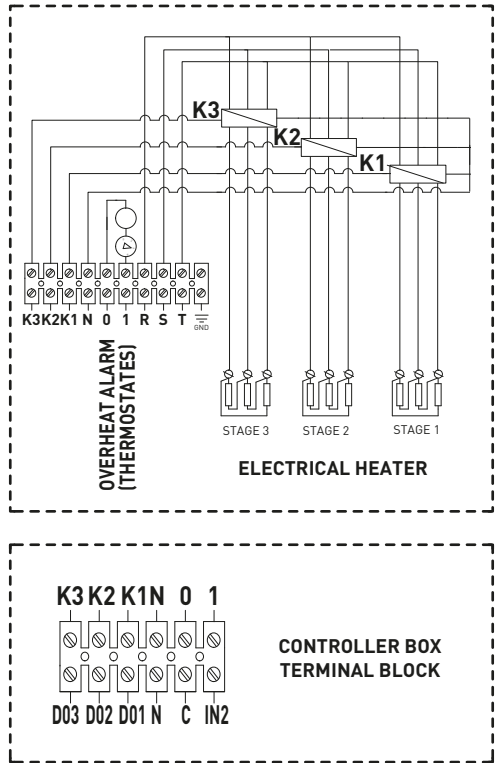


ALERTS AND ALARMS MENU

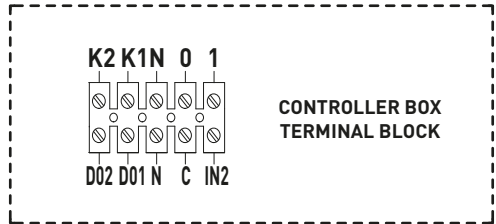
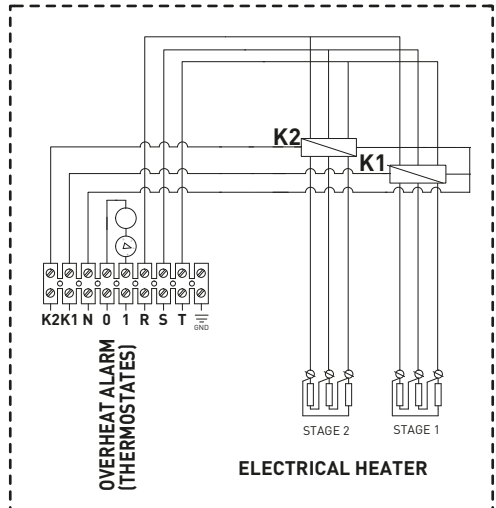
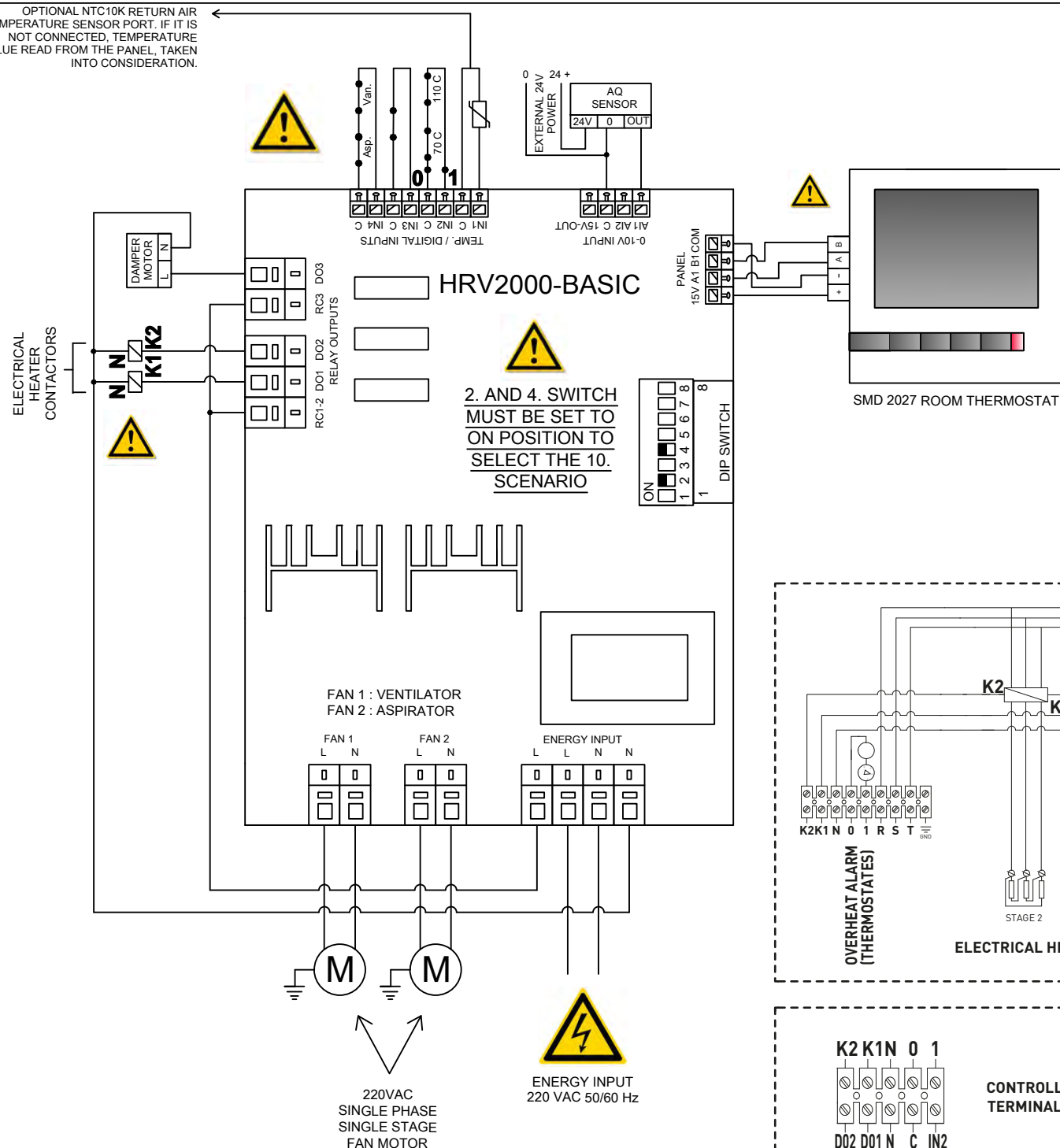
- * DISCONNECT THE POWER OF THE DEVICE, BEFORE MAKING OR CHANGING CABLE CONNECTIONS.
- * DISCONNECT THE POWER OF THE DEVICE, BEFORE CHANGING SCENARIO VIA DIPSWITCH.
- * CHECK THERMOSTAT CONNECTIONS, BEFORE OPERATING THE DEVICE.
- * IF THE AIR QUALITY SENSOR SUPPLY VOLTAGE 15VDC, 15V-OUT IS AVAILABLE ON THE CARD. THERE IS NO NEED FOR AN EXTERNAL POWER SUPPLY.
- * **IN2-0 ELECTRICAL HEATER OVER HEAT ALARM(NC)**
IT MUST BE CONNECTED TO THE NC TERMINAL OF SAFETY THERMOSTAT. IF IT IS NOT CONNECTED, AL:02 ALARM HAPPENS. IF IT IS NOT USED, INPUT MUST BE CONNECTED TO GND(C).
- * **IN3-C REMOTE ON/OFF (NC)**
THE REMOTE CONTROL INPUT VIA EXTERNAL CONTACTS. IF IT IS NOT USED, INPUT MUST BE CONNECTED TO GND(C).
- * **IN4-C FAN ALARM (NC)**
IT MUST BE CONNECTED TO THE NC TERMINAL OF THERMAL CONTACTS. IF IT IS NOT CONNECTED, AL:01 ALARM HAPPENS. IF IT IS NOT USED, INPUT MUST BE CONNECTED TO GND(C).



SCENARIO 9: VENTILATION+ELECTRIC HEATING



OPTIONAL NTC10K RETURN AIR TEMPERATURE SENSOR PORT. IF IT IS NOT CONNECTED, TEMPERATURE VALUE READ FROM THE PANEL, TAKEN INTO CONSIDERATION.



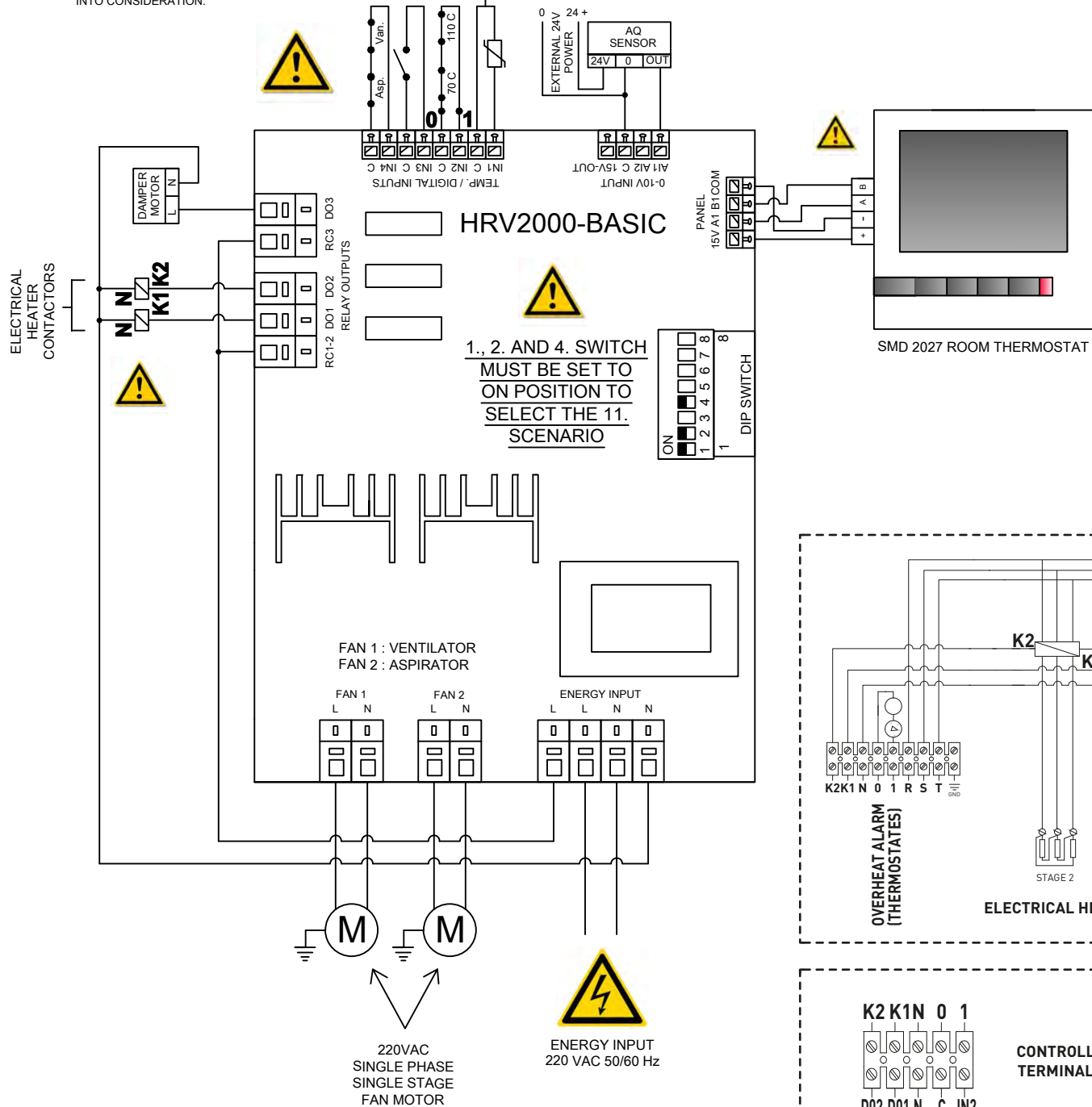
ALERTS AND ALARMS MENU

- * DISCONNECT THE POWER OF THE DEVICE, BEFORE MAKING OR CHANGING CABLE CONNECTIONS.
- * DISCONNECT THE POWER OF THE DEVICE, BEFORE CHANGING SCENARIO VIA DIPSWITCH.
- * CHECK THERMOSTAT CONNECTIONS, BEFORE OPERATING THE DEVICE.
- * IF THE AIR QUALITY SENSOR SUPPLY VOLTAGE 15VDC, 15V-OUT IS AVAILABLE ON THE CARD. THERE IS NO NEED FOR AN EXTERNAL POWER SUPPLY.
- * DAMPER MOTOR MUST BE IN THE ON/OFF AND SPRING RETURN PROPERTY. DAMPER OUT IS DESIGNED TO BE 220V. IF NECESSARY, THE CONTROL VOLTAGE CAN BE CHANGED BY RC3 TERMINAL.
- * IN2-0 ELECTRICAL HEATER OVER HEAT(NC)
IT MUST BE CONNECTED TO THE NC TERMINAL OF SAFETY THERMOSTAT. IF IT IS NOT CONNECTED, AL:02 ALARM HAPPENS. IF IT IS NOT USED, INPUT MUST BE CONNECTED TO GND(C).
- * IN3-C REMOTE ON/OFF (NC)
THE REMOTE CONTROL INPUT VIA EXTERNAL CONTACTS. IF IT IS NOT USED, INPUT MUST BE CONNECTED TO GND(C).
- * IN4-C FAN ALARM (NC)
IT MUST BE CONNECTED TO THE NC TERMINAL OF THERMAL CONTACTS. IF IT IS NOT CONNECTED, AL:01 ALARM HAPPENS. IF IT IS NOT USED, INPUT MUST BE CONNECTED TO GND(C).

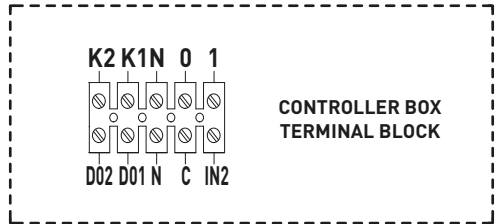
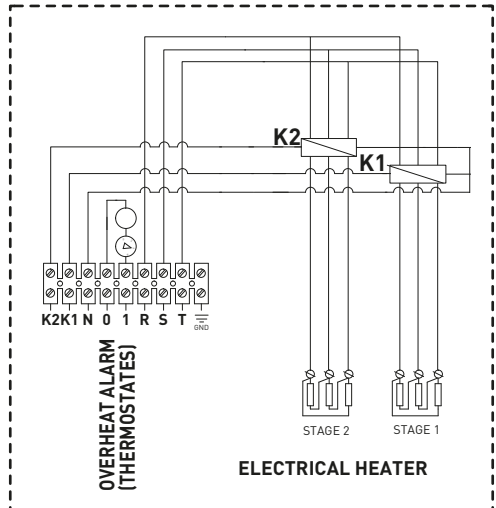


SCENARIO 10: VENTILATION+ELECTRIC HEATING+DAMPER

OPTIONAL NTC10K RETURN AIR TEMPERATURE SENSOR PORT. IF IT IS NOT CONNECTED, TEMPERATURE VALUE READ FROM THE PANEL, TAKEN INTO CONSIDERATION.



1., 2. AND 4. SWITCH MUST BE SET TO ON POSITION TO SELECT THE 11. SCENARIO



ALERTS AND ALARMS MENU

* DISCONNECT THE POWER OF THE DEVICE, BEFORE MAKING OR CHANGING CABLE CONNECTIONS.

* DISCONNECT THE POWER OF THE DEVICE, BEFORE CHANGING SCENARIO VIA DIPSWITCH.

* CHECK THERMOSTAT CONNECTIONS, BEFORE OPERATING THE DEVICE.

* IF THE AIR QUALITY SENSOR SUPPLY VOLTAGE 15VDC, 15V-OUT IS AVAILABLE ON THE CARD, THERE IS NO NEED FOR AN EXTERNAL POWER SUPPLY.

* DAMPER MOTOR MUST BE IN THE ON/OFF AND SPRING RETURN PROPERTY. DAMPER OUT IS DESIGNED TO BE 220V. IF NECESSARY, THE CONTROL VOLTAGE CAN BE CHANGED BY RC3 TERMINAL.

* IN2-0 ELECTRICAL HEATER OVER HEAT ALARM(NC)
IT MUST BE CONNECTED TO THE NC TERMINAL OF SAFETY THERMOSTAT. IF IT IS NOT CONNECTED, AL:02 ALARM HAPPENS. IF IT IS NOT USED, INPUT MUST BE CONNECTED TO GND(C).

* IN3-C FIRE ALARM(NO)
DEFAULT CONNECTION IS NO. IN CASE OF FIRE, AL:04 ALARM HAPPENS.

* IN4-C FAN ALARM (NC)
IT MUST BE CONNECTED TO THE NC TERMINAL OF THERMAL CONTACTS. IF IT IS NOT CONNECTED, AL:01 ALARM HAPPENS. IF IT IS NOT USED, INPUT MUST BE CONNECTED TO GND(C).



SCENARIO 11: VENTILATION+ELECTRIC HEATING+DAMPER