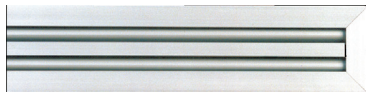




SLOT REŠETKE SLOT DIFFUSERS



S

Linijska slot rešetka za ubacivanje ili izbacivanje vazduha koja se može montirati na plafon ili zid. Pravac strujanja vazduha je kontrolisan preko cilindričnih lamela na svakom prorezu.

Linear slot diffuser, for supply or exhaust air and installation in ceilings or walls. The direction of the air throw is controlled by a adjustable cylindrical blade per slot.

S-D

Linijska slot rešetka za ubacivanje ili izbacivanje vazduha koja se može montirati na plafon ili zid. Pravac strujanja vazduha je kontrolisan preko pokretnih cilindričnih lamela na svakom prorezu. Posедуje regulator protoka sa suprotnosmernim lamelama.

Linear slot diffuser, for supply or exhaust air and installation in ceilings or walls. The direction of the air throw is controlled by a adjustable cylindrical blade per slot. With opposed blade damper for regulation of air flow.

S-SX

Linijska slot rešetka za ubacivanje ili izbacivanje vazduha koja se može montirati na plafon ili zid. Pravac strujanja vazduha je kontrolisan preko pokretnih cilindričnih lamela na svakom prorezu. Sa izbušenim jednakim otvorima.

Linear slot diffuser, for supply or exhaust air and installation in ceilings or walls. The direction of the air throw is controlled by a adjustable cylindrical blade per slot. With perforated equalising.

S-D-SX

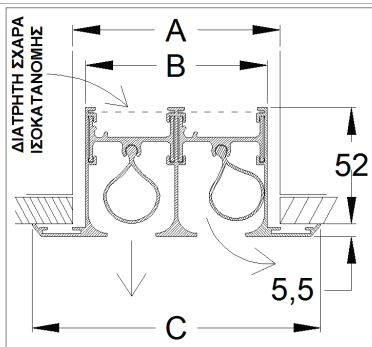
Linijska slot rešetka za ubacivanje ili izbacivanje vazduha koja se može montirati na plafon ili zid. Pravac strujanja vazduha je kontrolisan preko pokretnih cilindričnih lamela na svakom prorezu. Poseduje regulator protoka sa suprotnosmernim lamelama. Sa izbušenim jednakim prorezima.

Linear slot diffuser, for supply or exhaust air and installation in ceilings or walls. The direction of the air throw is controlled by a adjustable cylindrical blade per slot. With opposed blade damper regulation of air flow and perforated equalizing grid.

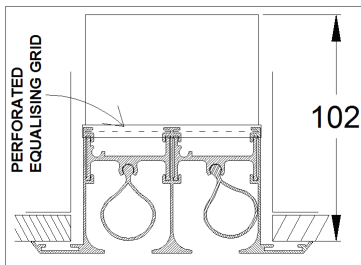
S-AUTH-O/A

Linijska plafonska slot rešetka sa 2 do 6 proreza za ubacivanje vazduha. Podešavanje za grejanje (vertikalno) ili hlađenje (horizontalno, u jednom (S-AUTH-O) ili dva (S-AUTH-A) smeru) se postiže automatski, zavisno od temperature vazduha, sa termoregulatorom koji pokreće unutrašnji cilindar. Bez potrebe za električnim napajanjem.

Linear ceiling slot diffuser with 2 up to 6 slots for supply air. The adjustment in heating (vertical) or cooling mode (horizontal, in one (S-AUTH-O) or two (S-AUTH-A) directions) is succeeded automatically, according to the supply air temperature, with a thermal actuator which moves the internal cylinder. There is no need of electric power.



S



S-D

ΕΓΚΟΠΕΣ /SLOTS	A	B	C
1	50	40	87
2	90	80	127
3	130	120	167
4	170	160	207
5	210	200	247

	S	S-D	S-SX	S-D-SX
1	36,23	-	54,25	-
2	52,51	75,13	74,16	97,23
3	72,72	99,17	98,13	125,11
4	92,92	120,78	122,07	150,49
5	113,11	147,23	146,04	180,85
6	133,32	173,10	169,99	210,57
7	153,51	198,76	194,00	240,16
8	173,70	226,42	218,01	271,79
9	193,91	253,09	242,00	302,36
10	214,10	280,35	265,97	333,54

CENOVNIK ZA REŠETKE OD ELOKSIRANOG ALUMINIJUMA U PRIRODNOJ BOJI

PRICELIST FOR GRILLES MADE OF ANODIZED ALUMINIUM IN NATURAL COLOUR

	S	S-D	S-SX	S-D-SX
1	48,02	-	66,05	-
2	64,31	86,93	85,96	109,03
3	84,51	110,96	109,93	136,91
4	104,71	132,58	133,87	162,29
5	124,90	159,03	157,83	192,64
6	147,02	186,80	183,68	224,26
7	169,29	214,53	209,78	255,93
8	191,55	244,28	235,86	289,64
9	213,85	273,02	261,94	322,30
10	236,10	302,35	287,97	355,54

CENOVNIK ZA REŠETKE OBOJENE RAL BOJOM PLASTIFICIRANE

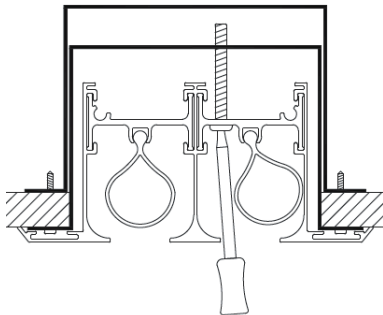
PRICE LIST FOR GRILLES PAINTED IN RAL COLOUR ELECTROSTATICALLY

NAPOMENE:
*Za neke specijalne RAL boje postoji dodatak u ceni. Kontaktirajte nas za detaljnije informacije.
NOTES:
*For some special RAL colours there is extra charge. Come in touch with us for more information.

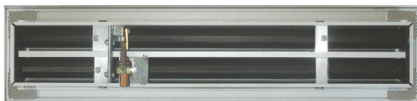
DODATAK U CENI / WITH EXTRA CHARGE



- *Doplata za ugao proreza S 90 ° (1,2,3 ili 4 proreza):
Anodizovano 45,82 €/kom, RAL 57,63 €/kom
- *Additional charge for slot corner S 90° (1,2,3 or 4 slots):
Anodized 45,82 €/pcs, RAL 57,63 €/pcs.



- "Skrivena ugradnja sa Π : 5 evra neto za delove do 1,6m
6 evra neto za delove od 1,6m do 2,5 m"
- *Secret fixing with : 5 euro net for pieces up to 1,6m
6 euro net for pieces from 1,6m up to 2,5m



- *Cena dodatka (po komadu), za automatsko podešavanje difuzora.
- *Additional charge per piece of slot type diffuser for automatic adjustment (max. piece length 1,5m).

AUTH SAMOPODEŠAVANJE / AUTH SELF ADJUSTMENT

Broj Proreza / No OF SLOTS:	1	2	3	4	5	6
S-AUTH-O:	63,01	68,73	74,46	80,19	85,92	91,64
S-AUTH-A:	-	74,46	80,19	85,92	91,64	97,37

NAPOMENE:

*Za neke specijalne RAL boje postoji dodatak u ceni.
Kontaktirajte nas za detaljnije informacije.

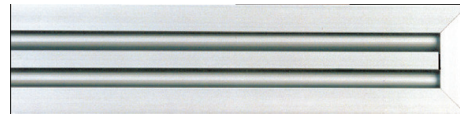
NOTES:

*For some special RAL colours there is extra charge. Come in touch with us for more information.





S-ON OFF-220V-O/A & S-ANALOGUE 24V-O/A



Linijnska plafonska slot rešetka za ubacivanje vazduha. U svakom preseku se nalaze cilindrične lamele za podešavanje mlaza, koji se podešavaju pomoću ON-OFF 220V ili analognog 24V motorića.

NAPOMENE:

- Rešetka može da ima od 2 do 6 preseka.
- Jedan motorić pomera cilindrične lamele u jednodelnoj S slot rešetki, dužine ne veće od 2,5m. Kada je rešetka duža, rešetka se pravi iz više delova i tada je potrebno i više motorića.
- Kod višedelnih S slot rešetki dužine do 1,5m, motorić se postavlja na poslednji deo. Za dužine veće 1,5-2,5m motorić se postavlja u sredini.
- Cilindrične lamele mogu da se pomeraju svi u istom pravcu (-O) ili deo u jednom, a deo u suprotnom pravcu (-A).
- Slot rešetke su dostupne i farbane u RAL bojama.

Aluminum linear multiple slot diffuser. For supply air and ceiling installation. In each slot there is a cylindrical blade for air pattern adjustment. With electric adjustment of the cylindrical blades with ON-OFF 220V or ANALOGUE 24V actuator. NOTES:

- *Manufactured from 2 to 6 slots.*
- *One electric actuator moves the blades in one piece of S slot diffuser with maximum length of 2,5m. In case of bigger lengths more pieces of S and electric actuators are required.*
- *For S pieces with length up to 1,5m the electric actuator is installed at the end of the piece. For length 1,5-2,5m in the middle*
- *The blades can move all in one direction (-O) or some in one direction and the other in the opposite direction (-A).*
- *Available in anodized or RAL painted slot diffuses.*

DODATNI TROŠKOVI ZA SVAKI KOMAD PROREZA ZA S DIFUZOR ADDITIONAL COST IN EACH PIECE OF S SLOT DIFFUSER :					
S-ON/OFF-220V	Broj proreza / No of slots				
	2	3	4	5	6
S-ON/OFF 220V -O	174,75	180,47	186,20	191,93	197,66
S-ON/OFF 220V -A	180,47	186,20	191,93	197,66	203,38

S-ANALOGUE-24V	Broj proreza / No of slots				
	2	3	4	5	6
S-ANALOGUE 24V -O	229,17	234,90	240,63	246,36	252,08
S-ANALOGUE 24V -A	234,90	240,63	246,36	252,08	257,81

NAPOMENE:
*Za neke specijalne RAL boje postoji dodatak u ceni.
Kontaktirajte nas za detaljnije informacije.

NOTES:
*For some special RAL colours there is extra charge. Come in touch with us for more information.



SLT



SLT



SLT-N



SLT-C-P

Linijaska slot rešetka, za ubacivanje i izvlačenje vazduha, koja može da se ugradi u plafon ili zid.

Glavna lamela određuje pravac strujanja vazduha na desno, levo ili vertikalno, takodje dve dodatne plastične lamele na stranama otvora, kontrolišu pravac protoka vazduha.

-N: Bez spoljašnje prirubnice. Za skrivenu ugradnju u gipsani zid debljine 12mm, sečeno za ugao od 45°.

-C: Sa uskom spoljašnjom prirubnicom, za ugradnju u gipsani zid debljine različite od 12mm.

-C-P: Sa uskom spoljašnjom prirubnicom, za ugradnju u gipsani zid debljine 12mm.

-X: Bez glavne lamele.

-SX: Sa perforirano podesivom mrežom.

Linear slot diffuser for use in air supply or return applications. For installation in ceilings or walls. The main blade adjusts the direction of the supply air to the right, vertical or to the left. Also two additional plastic blades at each side of the opening control the air direction.

- N: Without external flange. For secret fixing in gypsum board with thickness 12 mm catted in 45° corner.

- C: With narrow external flange, for installation in gypsum board with thickness different of 12 mm.

- C-P: With narrow external flange, for installation in gypsum board with thickness 12mm.

- X: Without main blade. (for return air).

- SX: With perforated equalizing grid.

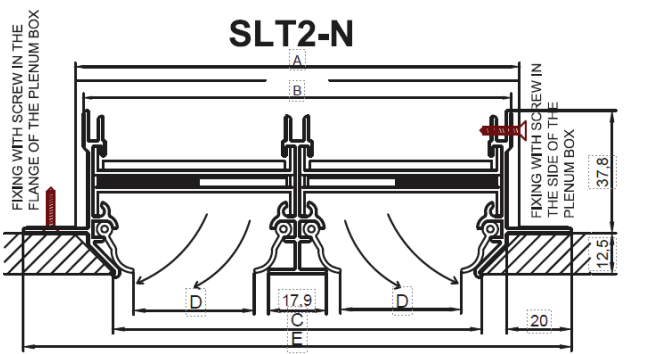
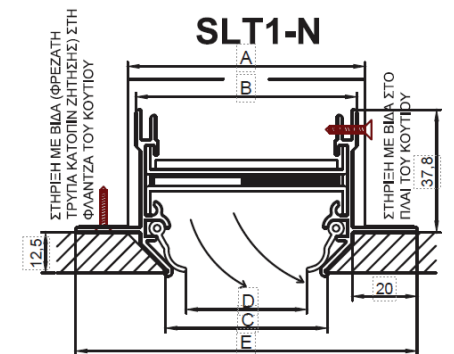
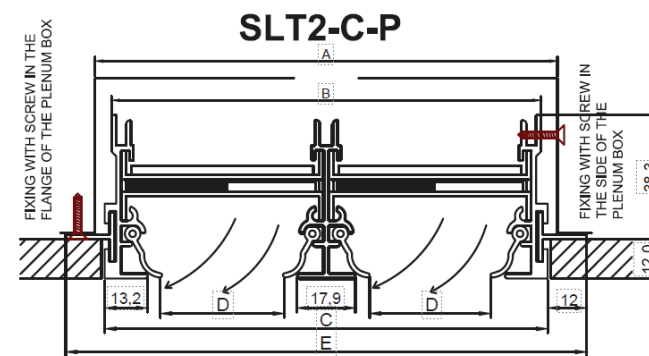
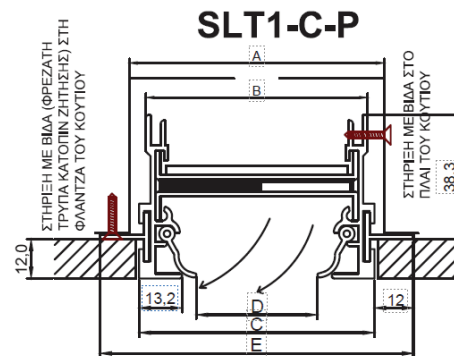
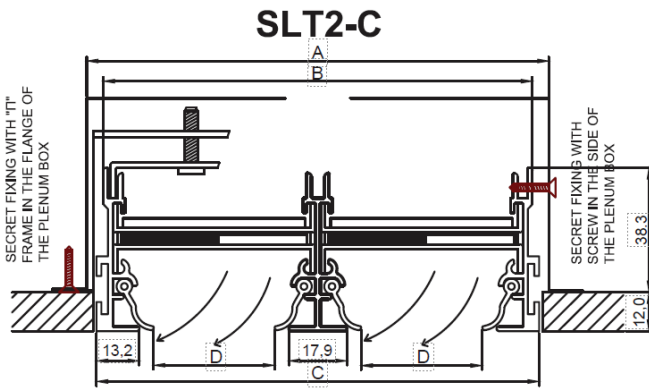
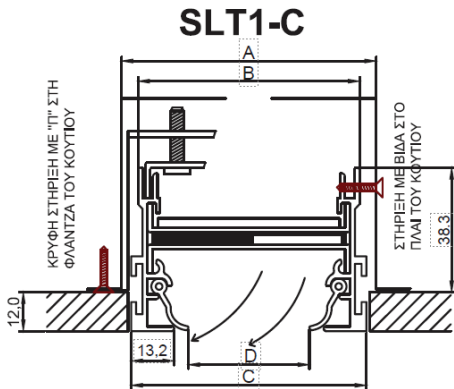
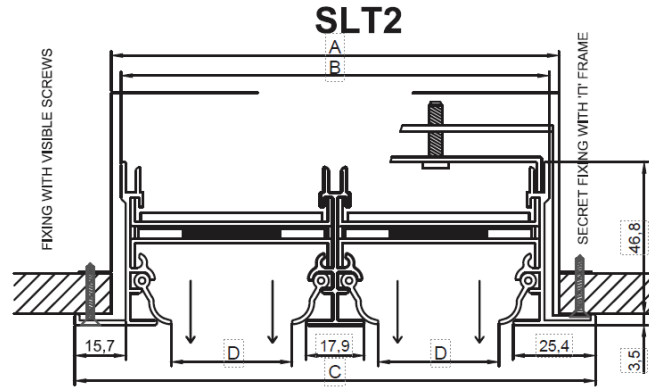
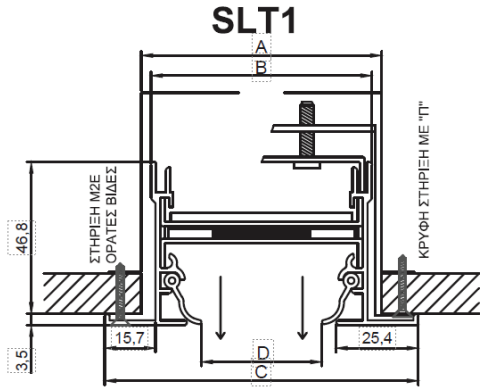
		ANODISED, (€/m)				RAL PAINTED, (€/m)				
		WIDTH (mm) D	SLT, SLT-C	SLT-SX, SLT-C-SX	SLT-C-P, SLT-N	SLT-C-P-SX, SLT-N-SX	SLT, SLT-C	SLT-SX, SLT-C-SX	SLT-C-P, SLT-N	SLT-C-P-SX, SLT-N-SX
2 PREOREZA 1 PROREZ 1 SLOT	25	53,27	71,14	58,60	76,47	65,07	82,94	70,39	88,26	
	38	59,00	78,07	64,32	83,40	70,80	89,87	76,12	95,19	
	50	64,72	84,92	70,05	90,25	76,52	96,72	81,85	102,04	
	63	70,45	91,88	75,78	97,21	82,25	103,68	87,58	109,01	
	76	76,18	98,81	81,51	104,14	87,98	110,61	93,30	115,94	
2 PREOREZA 2 SLOTS	25	77,22	99,86	84,94	107,57	89,02	111,66	96,74	119,37	
	38	82,95	107,86	90,66	115,58	94,75	119,66	102,46	127,38	
	50	88,68	115,57	96,39	123,29	100,48	127,37	108,19	135,09	
	63	94,40	123,61	102,12	131,33	106,20	135,41	113,92	143,13	
	76	100,13	131,53	107,85	139,24	111,93	143,33	119,64	151,04	

		ANODISED, (€/m)				RAL PAINTED, (€/m)				
		WIDTH (mm) D	SLT-X, SLT-C-X	SLT-X-SX, SLT-C-X-SX	SLT-C-P-X, SLT-N-X	SLT-C-P-X-SX, SLT-N-X-SX	SLT-X, SLT-C-X	SLT-X-SX, SLT-C-X-SX	SLT-C-P-X, SLT-N-X	SLT-C-P-X-SX, SLT-N-X-SX
2 PREOREZA 1 PROREZ 1 SLOT	25	49,72	67,59	54,69	72,56	61,52	79,39	66,49	84,36	
	38	55,45	74,52	60,42	79,49	67,24	86,32	72,22	91,29	
	50	61,17	81,37	66,15	86,34	72,97	93,17	77,94	98,14	
	63	66,90	88,33	71,87	93,30	78,70	100,13	83,67	105,10	
	76	72,63	95,26	77,60	100,23	84,43	107,06	89,40	112,03	
2 PREOREZA 2 SLOTS	25	72,07	94,71	79,27	101,91	83,87	106,51	91,07	113,71	
	38	77,80	102,72	85,00	109,92	89,60	114,51	96,80	121,71	
	50	83,53	110,42	90,73	117,63	95,33	122,22	102,53	129,42	
	63	89,26	118,47	96,46	125,67	101,05	130,26	108,26	137,47	
	76	94,98	126,38	102,18	133,58	106,78	138,18	113,98	145,38	

NAPOMENA:
* Za neke specijalne RAL boje postoji dodatak u ceni. Pozovite nas za detaljnije informacije.

NOTES:
* For some special RAL colours there is extra charge. Call us for more information.

SLT

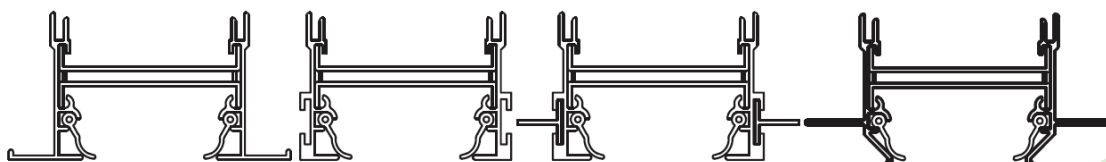


SLT1-X

SLT1-C-X

SLT1-C-P-X

SLT1-N-X



SLT

SLT / SLT-X

ΜΕΓΕΘΟΣ/SIZE	1 ΕΓΚΟΠΗ / 1 SLOT				2 ΕΓΚΟΠΕΣ / 2 SLOTS			
	A	B	C	D	A	B	C	D
25	61	55	84	25	112	106	135	25
38	74	68	97	38	138	132	161	38
50	86	80	109	50	162	156	185	50
63	99	93	122	63	188	182	211	63
76	112	106	135	76	214	208	237	76

SLT-C / SLT-C-P / SLT-C-X / SLT-C-P-X

ΜΕΓΕΘΟΣ/SIZE	1 ΕΓΚΟΠΗ / 1 SLOT					2 ΕΓΚΟΠΕΣ / 2 SLOTS				
	A	B	C	D	E	A	B	C	D	E
25	65	55	59	25	83	116	106	110	25	134
38	78	68	72	38	96	142	132	136	38	160
50	90	80	84	50	108	166	156	160	50	184
63	103	93	97	63	121	192	182	186	63	210
76	116	106	110	76	134	218	208	212	76	236

SLT-N / SLT-N-X

ΜΕΓΕΘΟΣ/SIZE	1 ΕΓΚΟΠΗ / 1 SLOT					2 ΕΓΚΟΠΕΣ / 2 SLOTS				
	A	B	C	D	E	A	B	C	D	E
25	60	55	37	25	92	111	106	88	25	143
38	73	68	50	38	105	137	132	114	38	169
50	85	80	62	50	117	161	156	138	50	193
63	98	93	75	63	130	187	182	164	63	219
76	111	106	88	76	143	213	208	190	76	245

