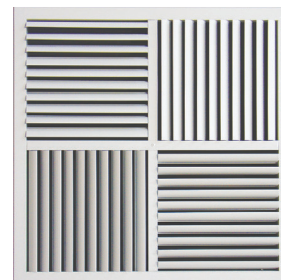




YB

Plafonki difuzor velikog prodora sa pokretnim zaobljenim lamelama.

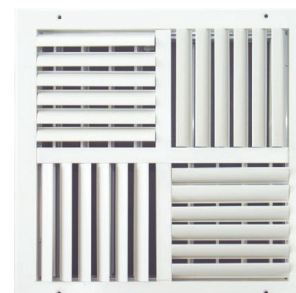
Ceiling high penetration swirl diffuser with adjustable curved blades.



YB-D

Plafonki difuzor velikog prodora sa pokretnim zaobljenim lamelama i regulatorom protoka sa suprotnosmernim lamelama.

Ceiling high penetration swirl diffuser with adjustable curved blades and opposed blade damper for regulation of air flow.

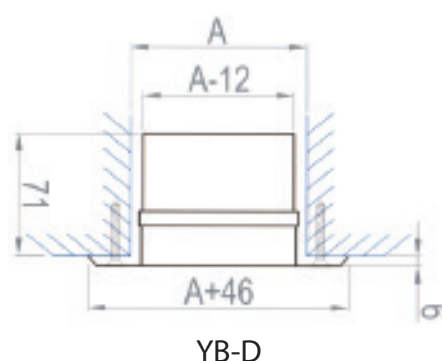
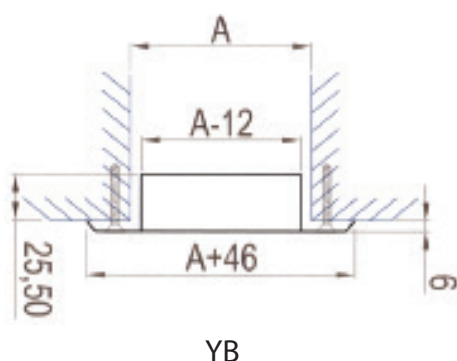


Dimenzije Size (AXA)	YB	YB-RAL	YB-D	YB-D-RAL
250X250	39,47	50,38	52,56	63,46
300X300	48,48	59,39	63,86	74,77
350X350	57,49	68,40	76,53	87,44
400X400	66,49	77,40	90,17	101,08
450X450	75,48	86,39	104,72	115,63
500X500	86,09	97,00	119,76	130,66
550X550	102,49	113,40	142,31	153,22
600X600	126,91	138,32	181,33	192,74

CENOVNIK ZA REŠETKE OD
ELOKSIRANOG ALUMINIJUMA
U PRIRODNOJ BOJI I OBOJENE RAL
BOJOM PLASTIFICIRANE

←

PRICELIST FOR GRILLES MADE
OF ANODIZED ALUMINIUM IN
NATURAL COLOUR AND PAINTED IN
RAL COLOUR ELECTROSTATICALLY



NAPOMENA:
* Za neke specijalne RAL boje postoji dodatak u ceni. Pozovite nas za detaljnije informacije.
* Postoji mogućnost skrivene ugradnje sa „Π” ramom (strana P2, crtež1B) uz doplatu.

NOTES:
* For some special RAL colours there is extra charge. Call us for more information.
* Secret fixing is possible with "Π" frame (page P2, drawing 1B) with extra charge.