

All dimensions in millimeters
Do Not Scale

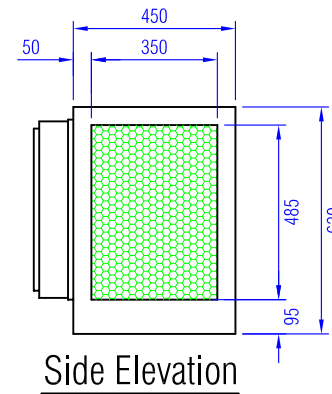
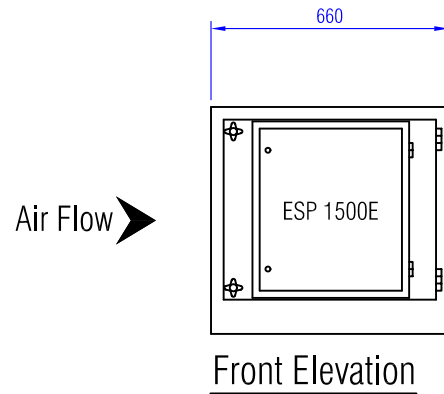
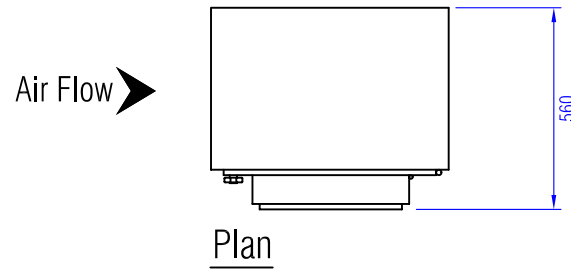
Purified Air Ltd

Title: ESP 1500E

Weight: 60kg

Power Supply: 220/240v-50Hz-1 Phaze

Maximum air flow through system: 0.7m³/s



Note
The system can be reconfigured if air flow direction is different to that shown.

All dimensions in millimeters
Do Not Scale

Purified Air Ltd

Title:

ESP 1500E + MMF

Weight:

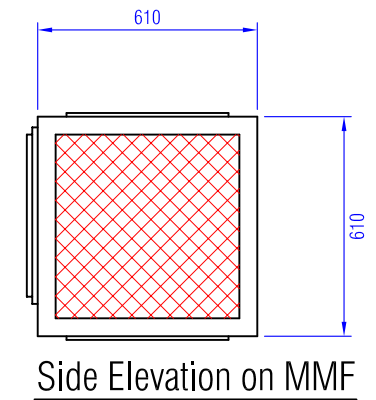
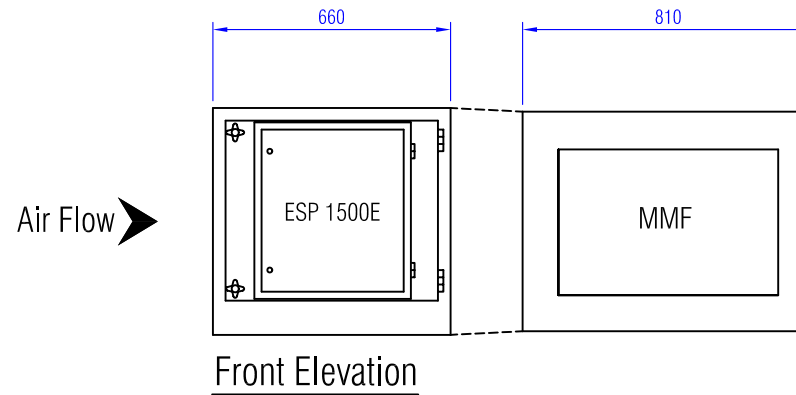
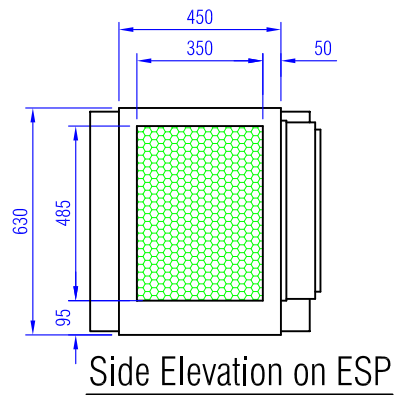
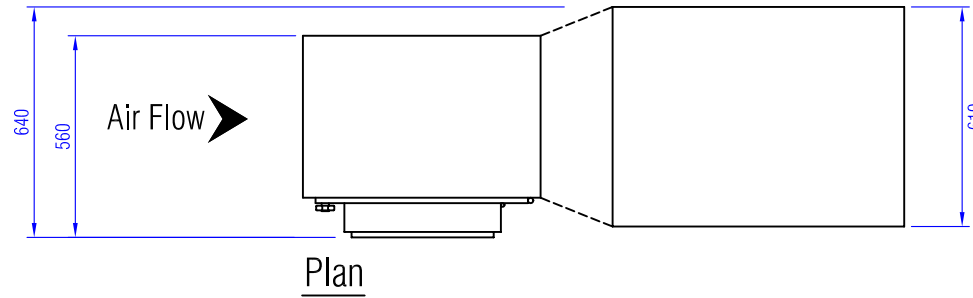
60kg

Power Supply:

220/240v-50Hz-1 Phaze

Maximum air flow through system:

0.7m³/s



Note

The system can be reconfigured if air flow direction is different to that shown.

All dimensions in millimeters
Do Not Scale

Purified Air Ltd

Title:

ESP 1500E x 2 High

Weight:

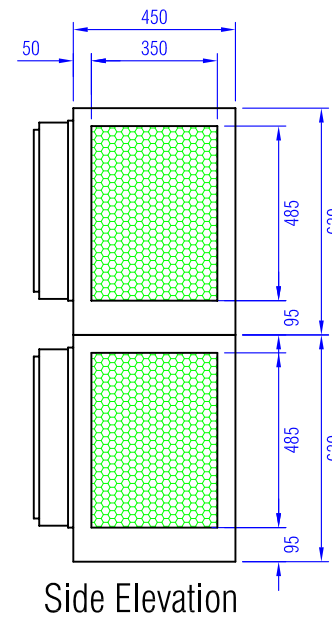
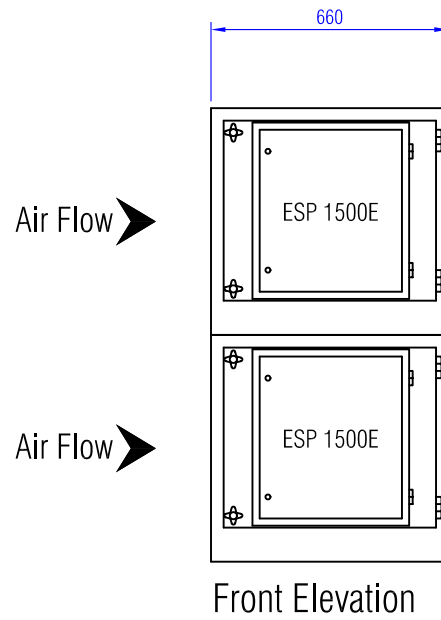
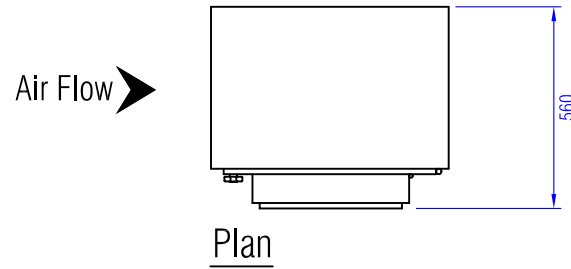
120kg

Power Supply:

220/240v-50Hz-1 Phaze

Maximum air flow through system:

0.7m³/s



Note

The system can be reconfigured if air flow direction is different to that shown.

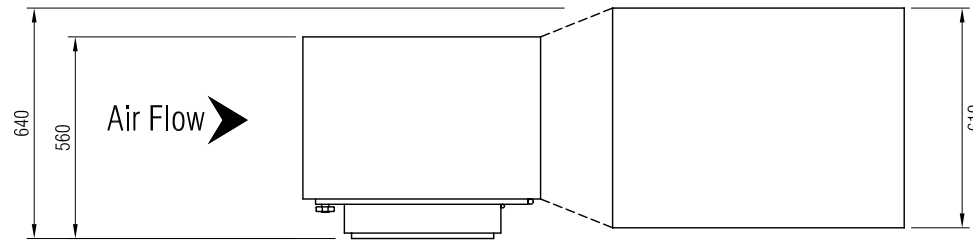
All dimensions in millimeters
Do Not Scale

Purified Air Ltd

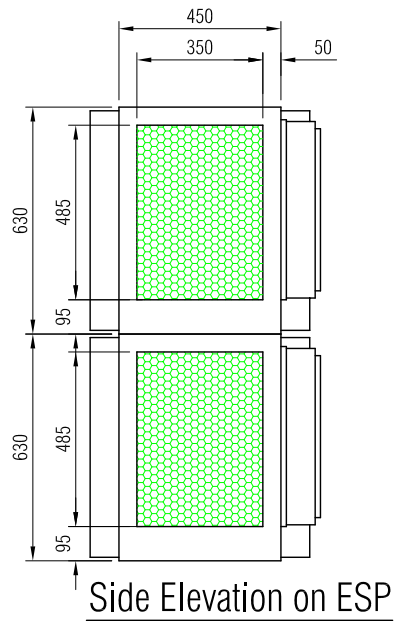
Title:
ESP 1500E x 2 High + 2 x MMF

Weight: 240kg Power Supply: 220/240v-50Hz-1 Phaze

Maximum air flow through system:
1.4m³/s



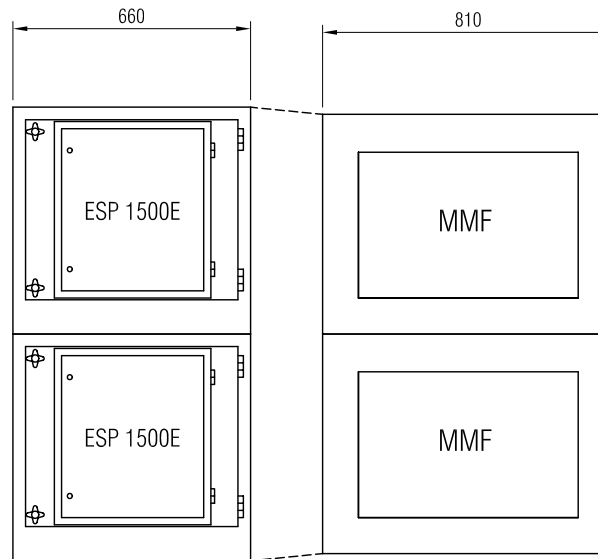
Plan



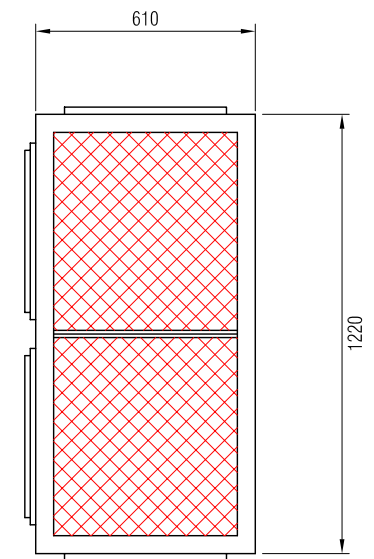
Side Elevation on ESP

Air Flow ➔

Air Flow ➔



Front Elevation



Side Elevation on MMF

Note
The system can be reconfigured if air flow direction is different to that shown.

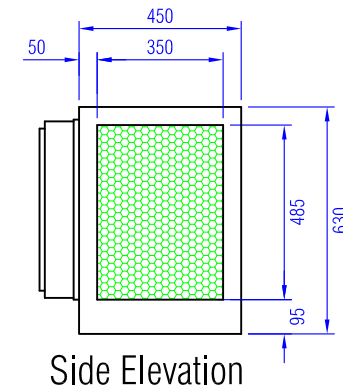
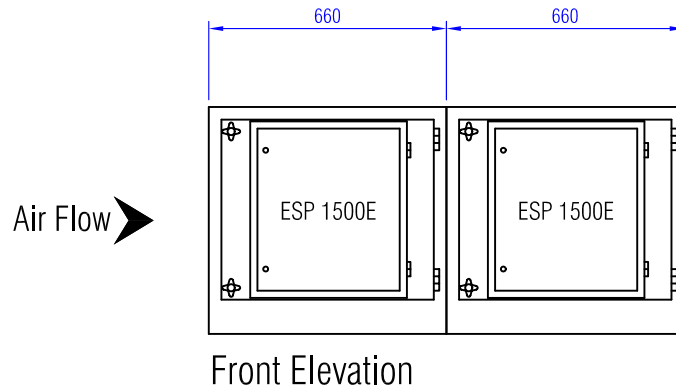
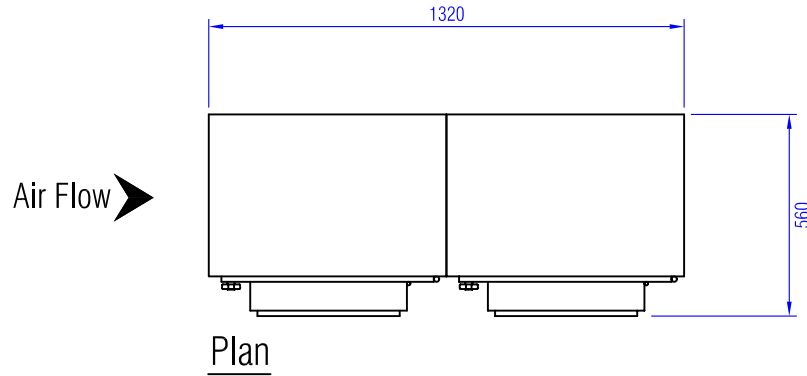
All dimensions in millimeters
Do Not Scale

Purified Air Ltd

Title: ESP 1500E-DP

Weight: 120kg Power Supply: 220/240v-50Hz-1 Phaze

Maximum air flow through system:
0.7m³/s

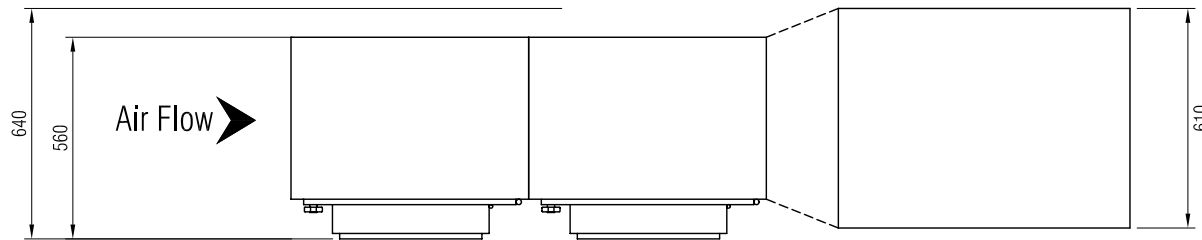


Note
The system can be reconfigured if air flow direction is different to that shown.

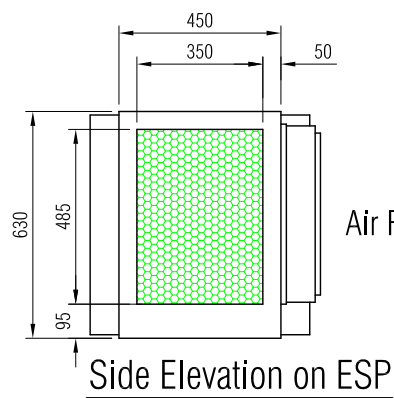
All dimensions in millimeters
Do Not Scale

Purified Air Ltd

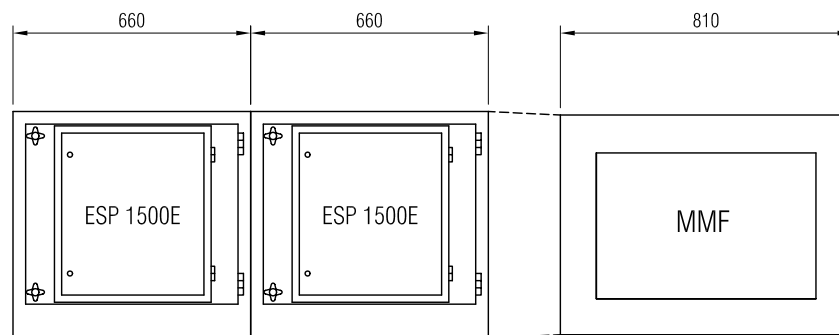
| | |
|---|---|
| Title: ESP 1500E-DP + MMF | |
| Weight: 180kg | Power Supply: 220/240v-50Hz-1 Phaze |
| Maximum air flow through system: 0.7m³/s | |



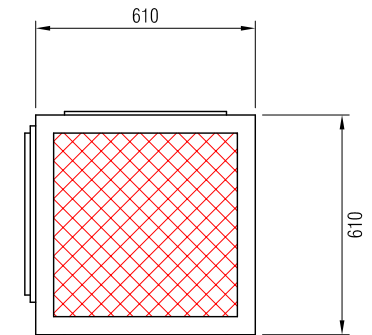
Plan



Side Elevation on ESP



Front Elevation



Side Elevation on MMF

Note
The system can be reconfigured if air flow direction is different to that shown.

All dimensions in millimeters
Do Not Scale

Purified Air Ltd

Title:

ESP 1500E-DP x 2 High

Weight:

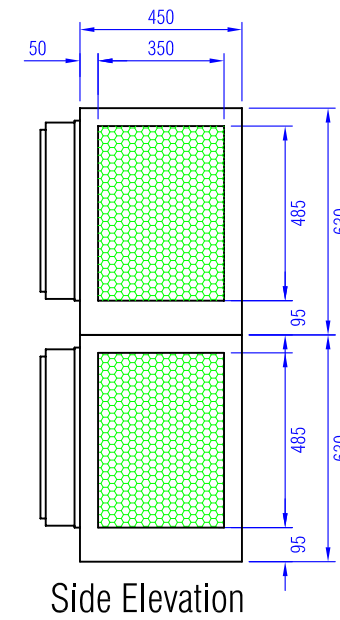
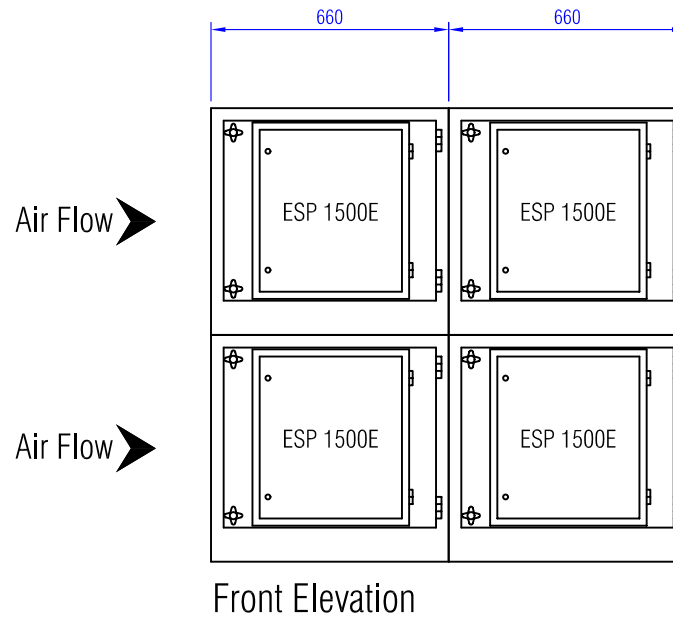
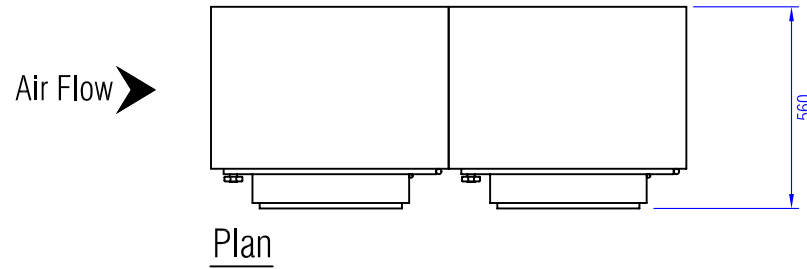
240kg

Power Supply:

220/240v-50Hz-1 Phaze

Maximum air flow through system:

0.7m³/s



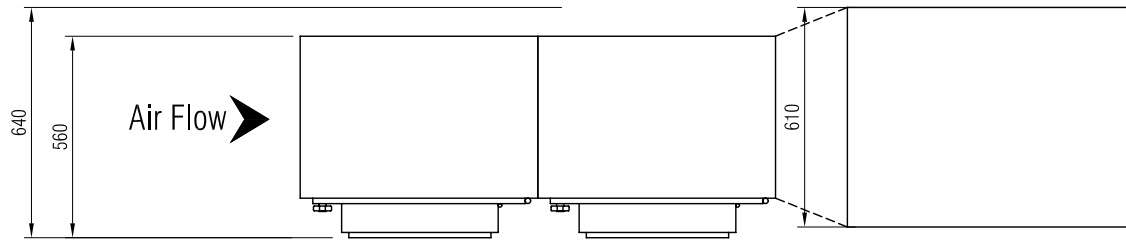
Note

The system can be reconfigured if air flow direction is different to that shown.

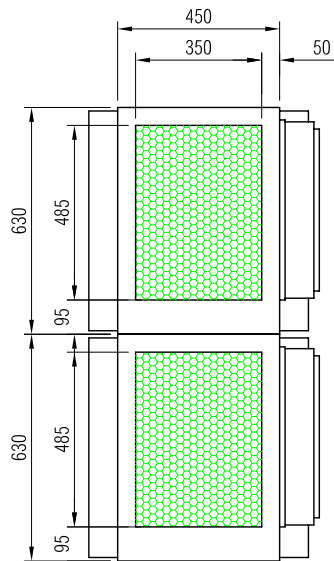
All dimensions in millimeters
Do Not Scale

Purified Air Ltd

| | |
|--|-------------------------------------|
| Title: ESP 1500E-DP x 2 High + 2 x MMF | |
| Weight: 360kg | Power Supply: 220/240v-50Hz-1 Phaze |
| Maximum air flow through system: 1.4m ³ /s | |



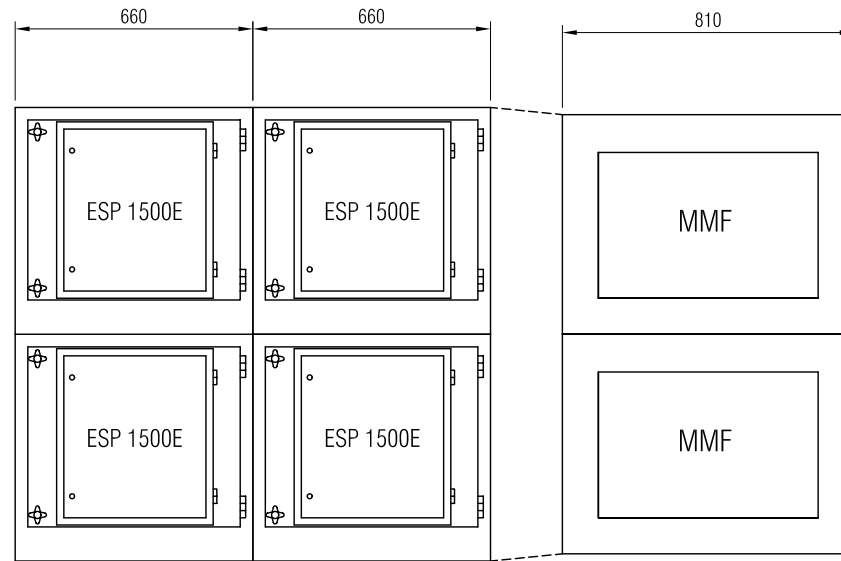
Plan



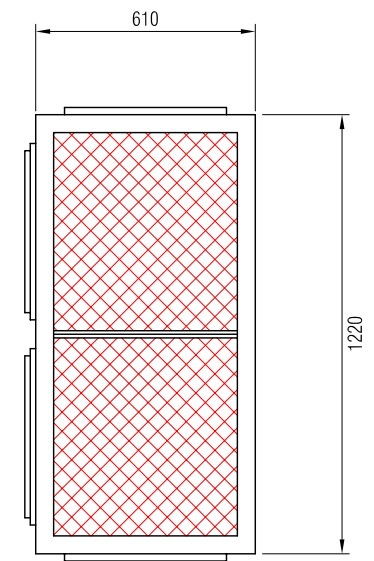
Side Elevation on ESP

Air Flow →

Air Flow →



Front Elevation



Side Elevation on MMF

Note

The system can be reconfigured if air flow direction is different to that shown.