



JEGK Series Circular Duct Heaters



These heaters have 2 overheating protection which is 50 °C adjustable and automatic resetting thermostat and fixed 110 °C with manual resetting.

The unit has no moving parts, it means that heaters are silent and susceptible to wear and tear.

The external installation requirements are: mains power supply, control signal for required temperature.

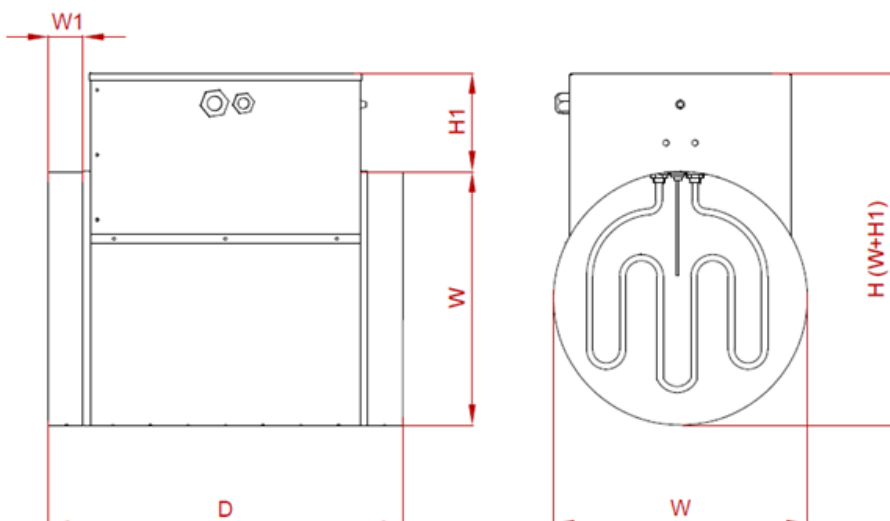
The minimum air volume is based on a minimum air velocity of 1,5 m/s. These duct heaters are designed for a maximum output air temperature of 50 °C

- Galvanised Steel as standard
- Magnelise steel, AISI304 SS, AISI316 SS available
AISI304 Stainless steel tubular heating elements
- Integrated connection terminals
- Easy access for wiring and maintenance

Ingress Protection (IP Rating)

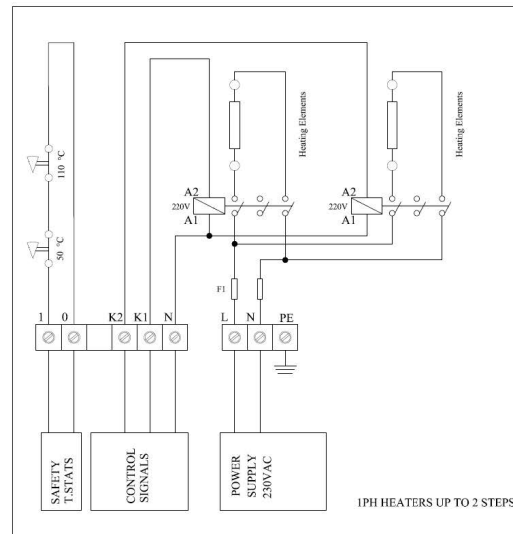
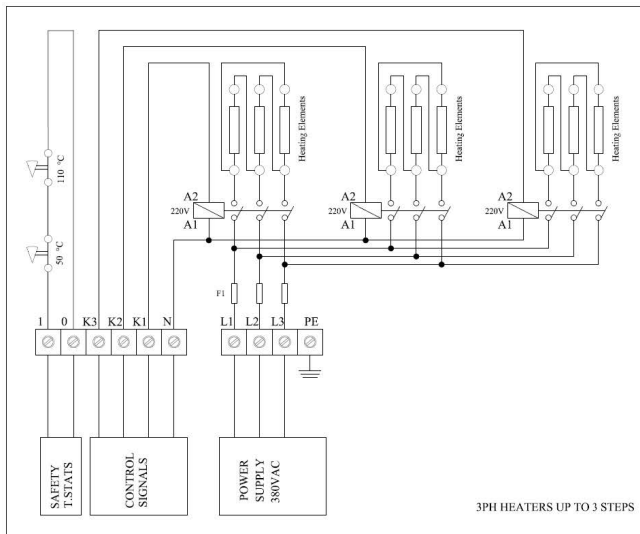
Standard: **IP43**, Optional: **IP55**

DIMENSIONS



| | |
|----|--------------|
| W | 125 - 450 mm |
| W1 | 60 mm |
| H | 275-580 mm |
| H1 | 130-150 mm |
| D | 380-490 mm |

WIRING DIAGRAM



INSTALLATION

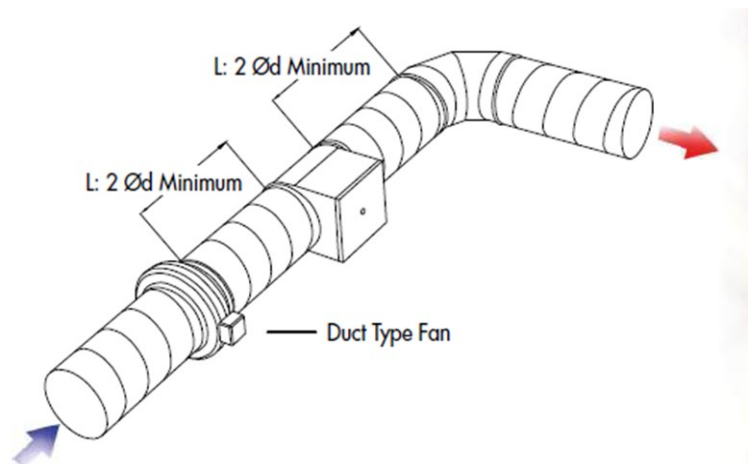
These heaters can be mounted in both horizontal and vertical ducts. However, it's crucial to ensure that the air flow direction aligns with the arrow indicated on the duct heater.

When installing in horizontal ducts, the junction box must be positioned facing upwards or rotated to the sides, up to a maximum of 90 degrees. It's important to note that installing with the junction box facing downwards is not permitted.



Maintain a distance from any duct bends, fans, dampers, etc. This distance should be at least twice the diameter of the connection to ensure proper airflow and prevent any obstructions.

If there is a possibility of accidental contact with the heating elements, a protective grill must be installed to prevent injury.



QUALITY APPROVALS

Our duct heaters are tested and approved by the following directives :

LVD directive : EN 60355-1 and EN 60335-2-30

EMC directive : EN 61000-3-2/A1:2021 and IEC 61000-3-3 / AMD2:2021