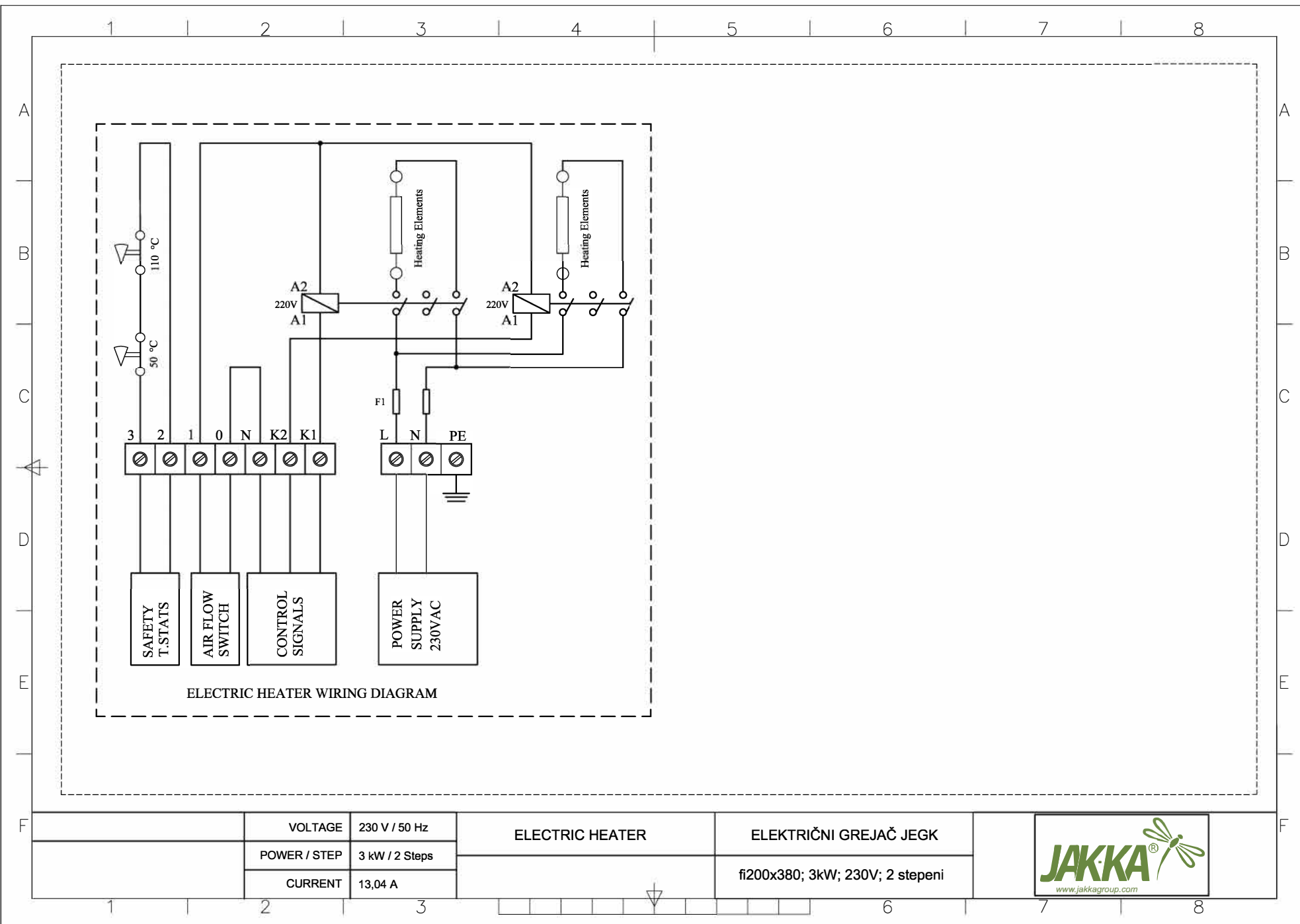


ELECTRIC HEATER WIRING DIAGRAM

VOLTAGE	230 V / 50 Hz	ELECTRIC HEATER	ELEKTRIČNI GREJAČ JEGK
POWER / STEP	2 kW / 1 Step		
CURRENT	8,70 A		
			fi160x380; 2kW; 230V; 1 stepeni



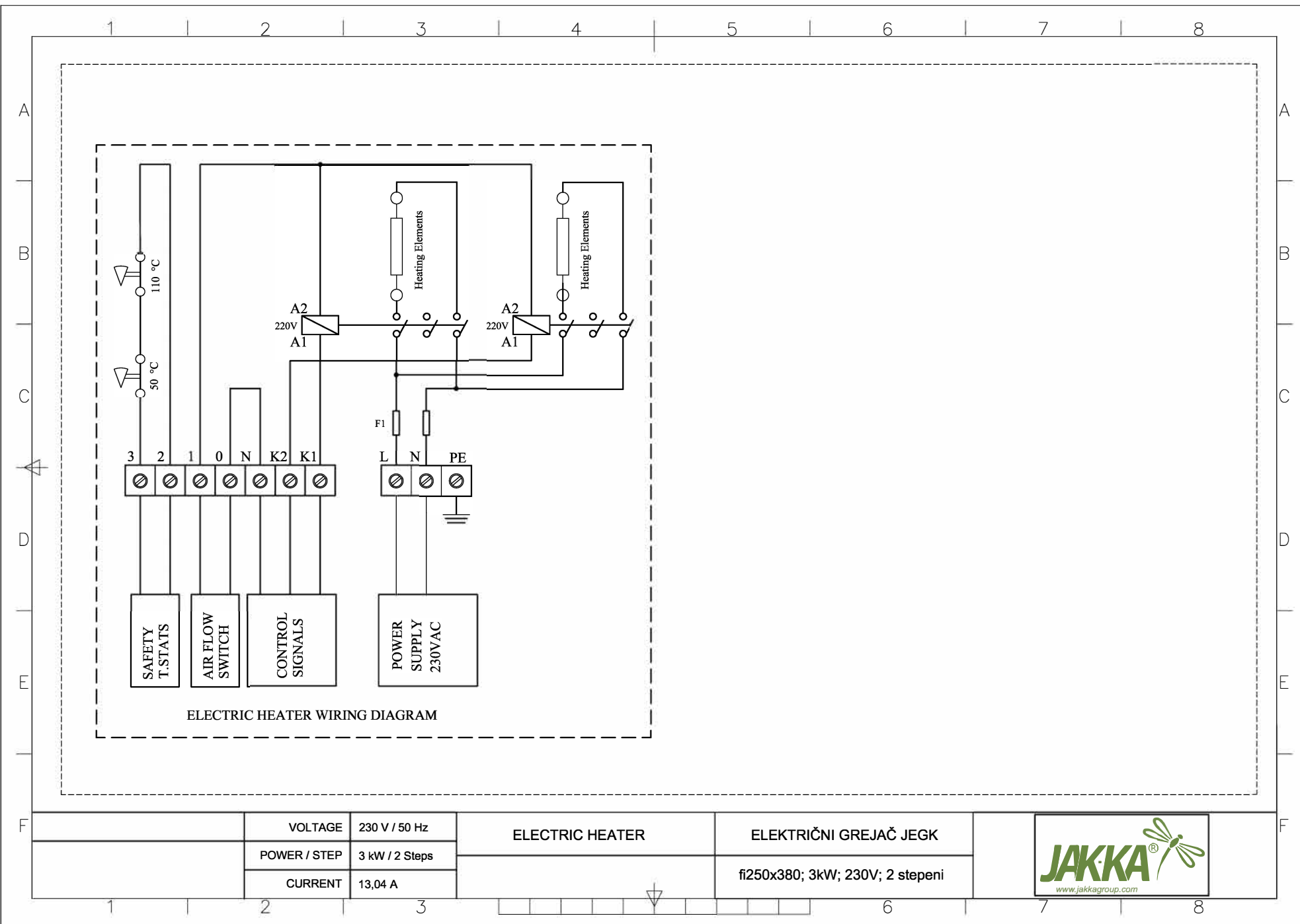


VOLTAGE	230 V / 50 Hz
POWER / STEP	3 kW / 2 Steps
CURRENT	13,04 A

**ELECTRIC HEATER**

**ELEKTRIČNI GREJAČ JEGK**  
fi200x380; 3kW; 230V; 2 stepeni

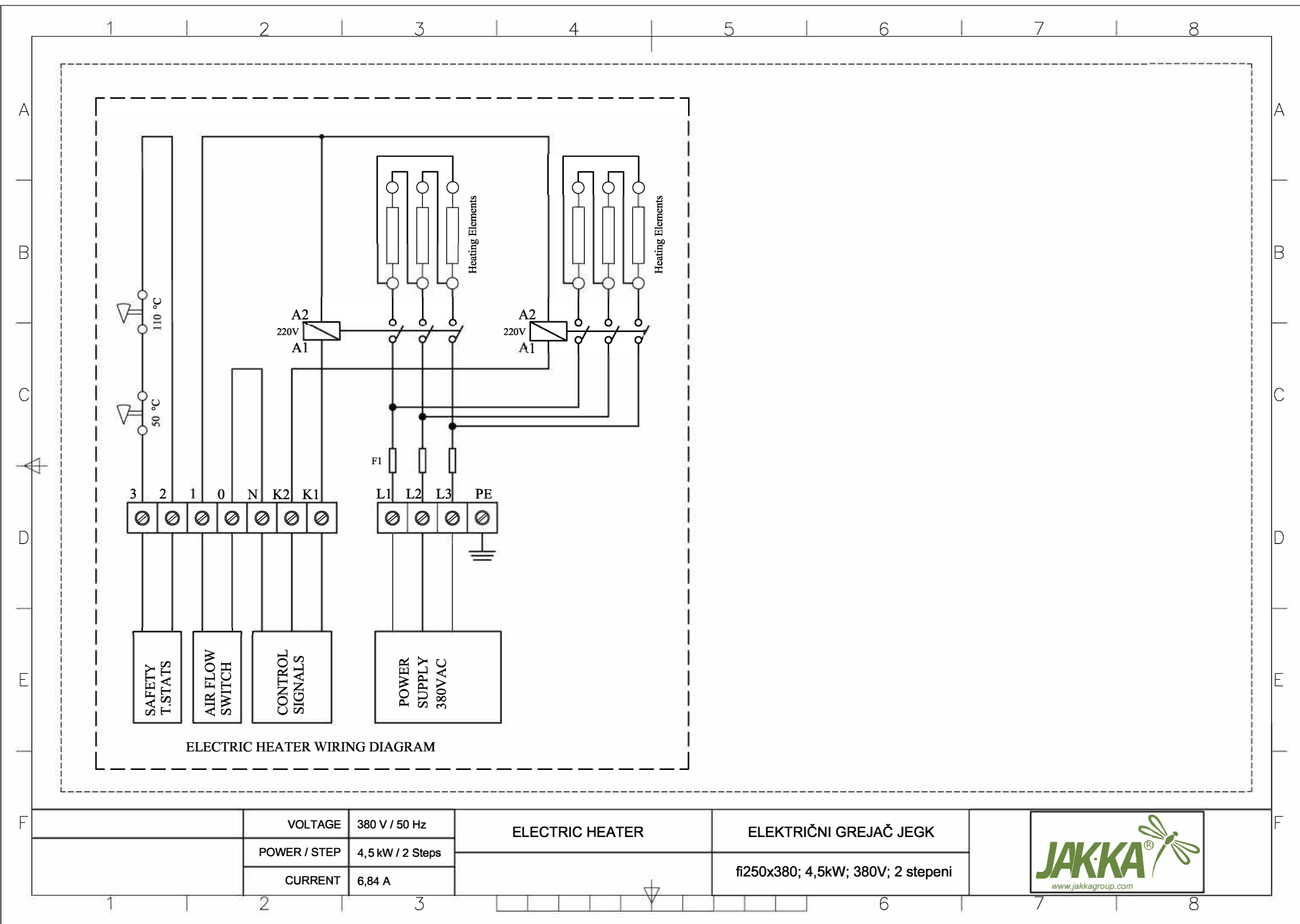




ELECTRIC HEATER WIRING DIAGRAM

VOLTAGE	230 V / 50 Hz	ELECTRIC HEATER	ELEKTRIČNI GREJAČ JEGK
POWER / STEP	3 kW / 2 Steps		
CURRENT	13,04 A		
		fi250x380; 3kW; 230V; 2 stepeni	



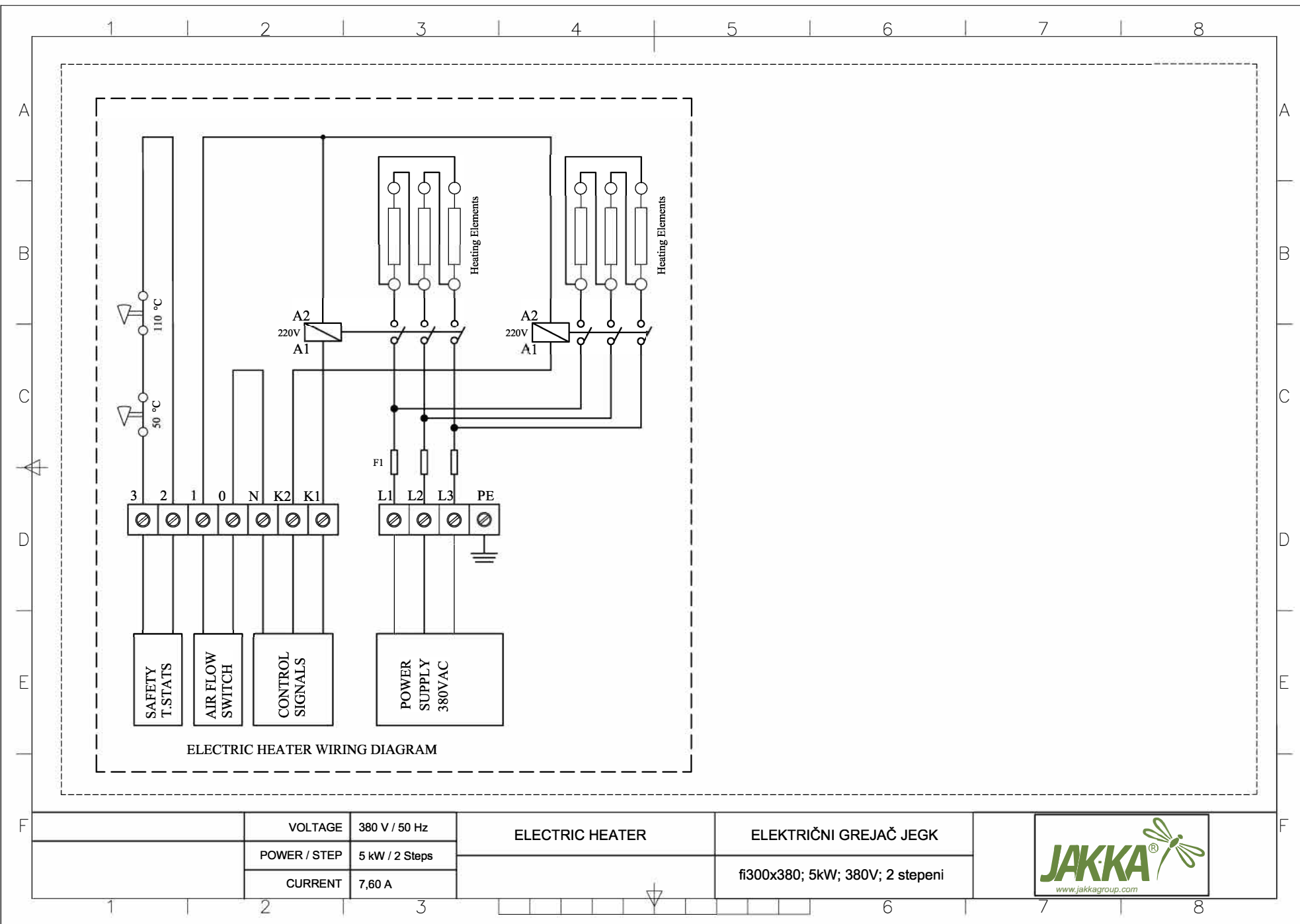


VOLTAGE	380 V / 50 Hz
POWER / STEP	4,5 kW / 2 Steps
CURRENT	6,84 A

**ELECTRIC HEATER**

**ELEKTRIČNI GREJAČ JEGK**  
fi250x380; 4,5kW; 380V; 2 stepeni

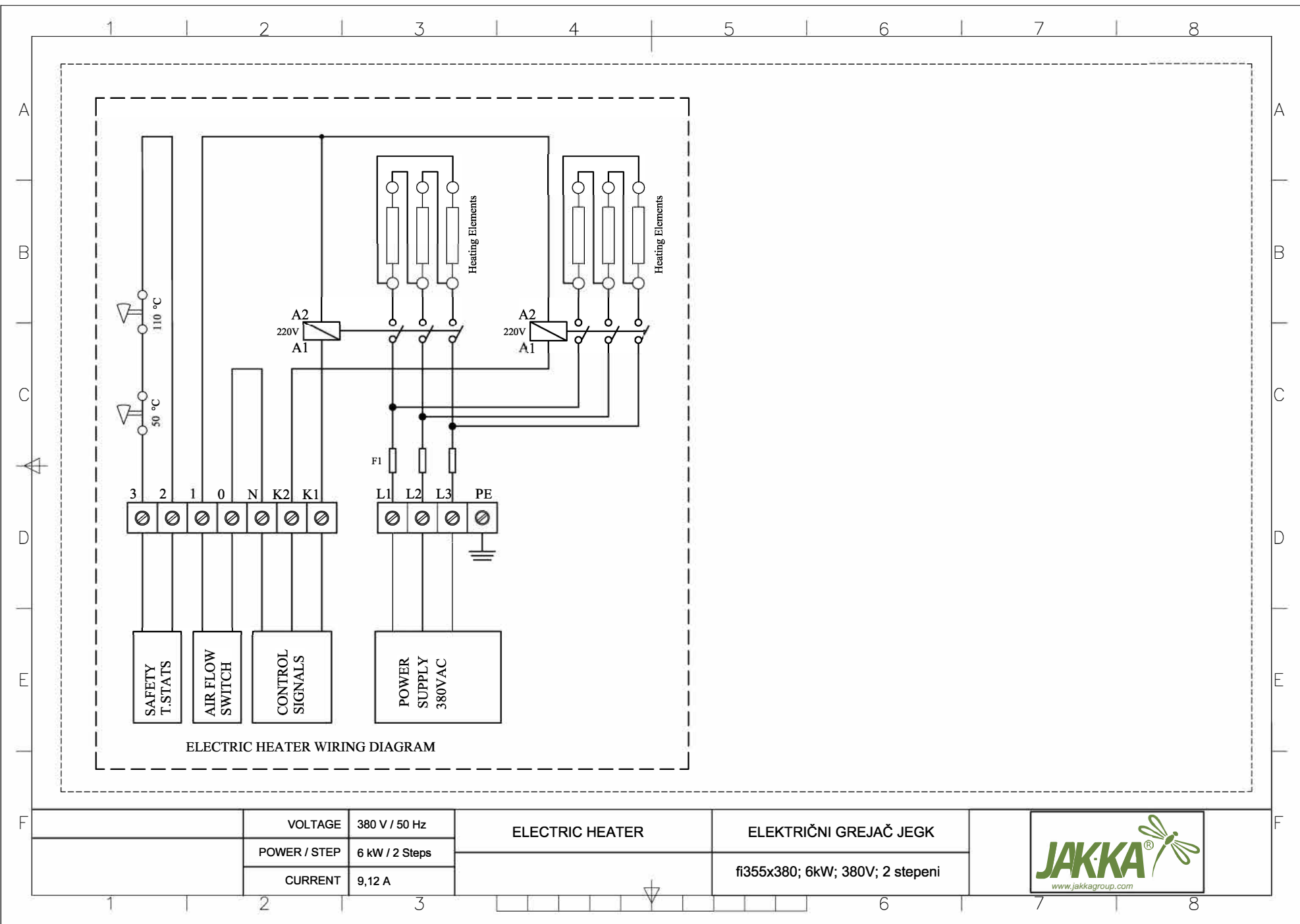




ELECTRIC HEATER WIRING DIAGRAM

	VOLTAGE	380 V / 50 Hz	ELECTRIC HEATER	ELEKTRIČNI GREJAČ JEGK	
	POWER / STEP	5 kW / 2 Steps			fi300x380; 5kW; 380V; 2 stepeni
	CURRENT	7,60 A			





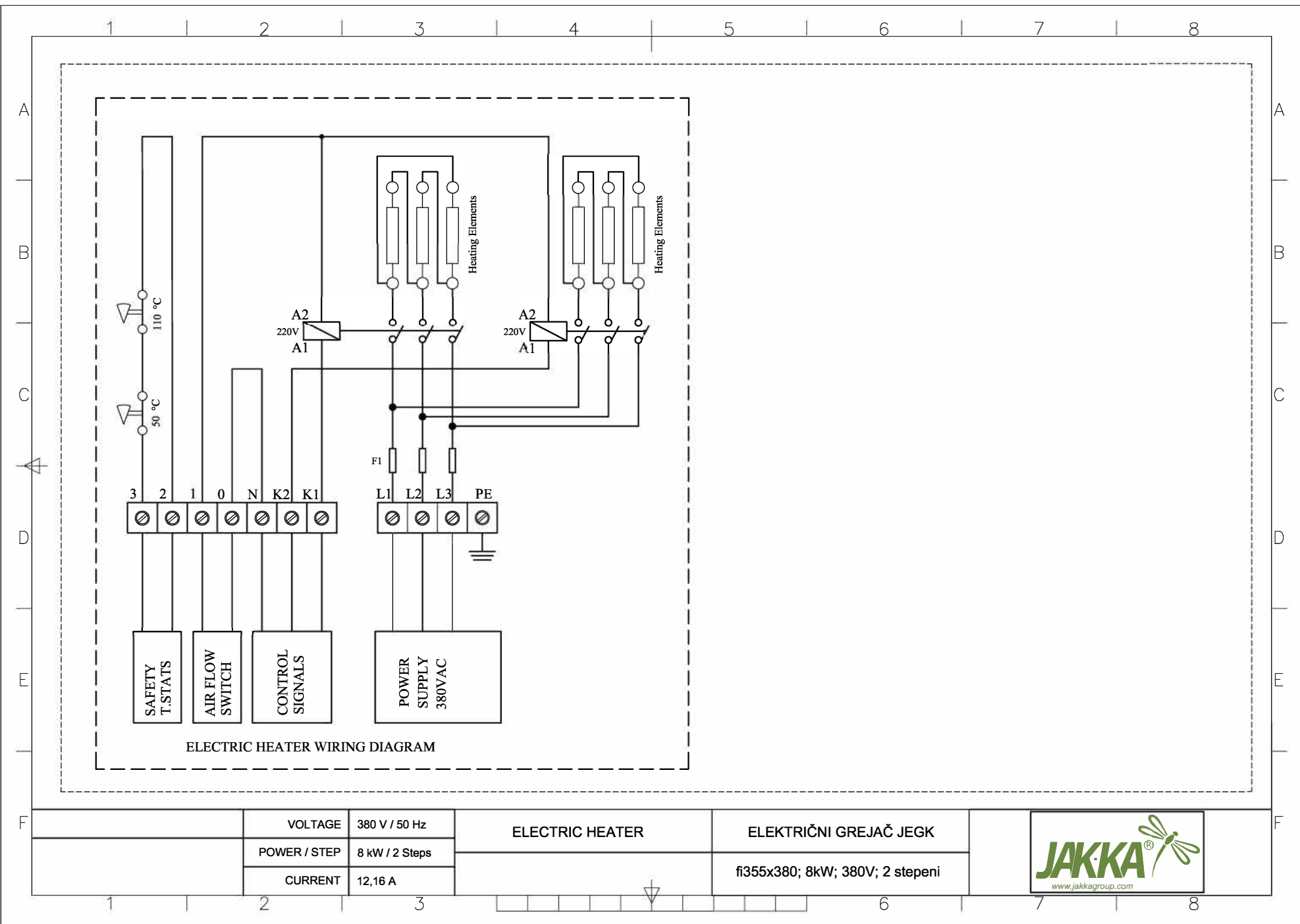
VOLTAGE	380 V / 50 Hz
POWER / STEP	6 kW / 2 Steps
CURRENT	9,12 A

**ELECTRIC HEATER**

**ELEKTRIČNI GREJAČ JEGK**

fi355x380; 6kW; 380V; 2 stepeni

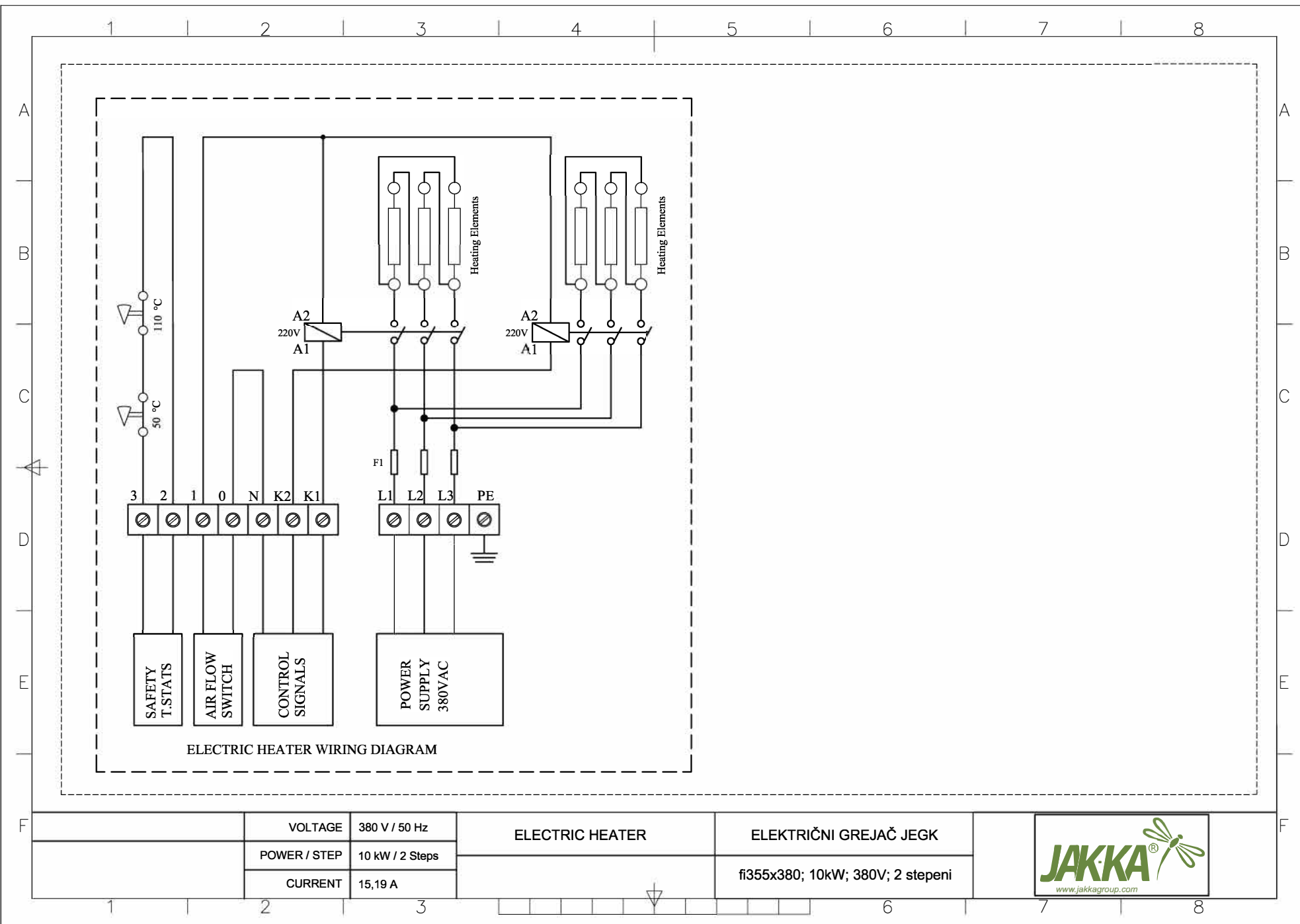




ELECTRIC HEATER WIRING DIAGRAM

	VOLTAGE	380 V / 50 Hz	ELECTRIC HEATER	ELEKTRIČNI GREJAČ JEGK	
	POWER / STEP	8 kW / 2 Steps			fi355x380; 8kW; 380V; 2 stepeni
	CURRENT	12,16 A			

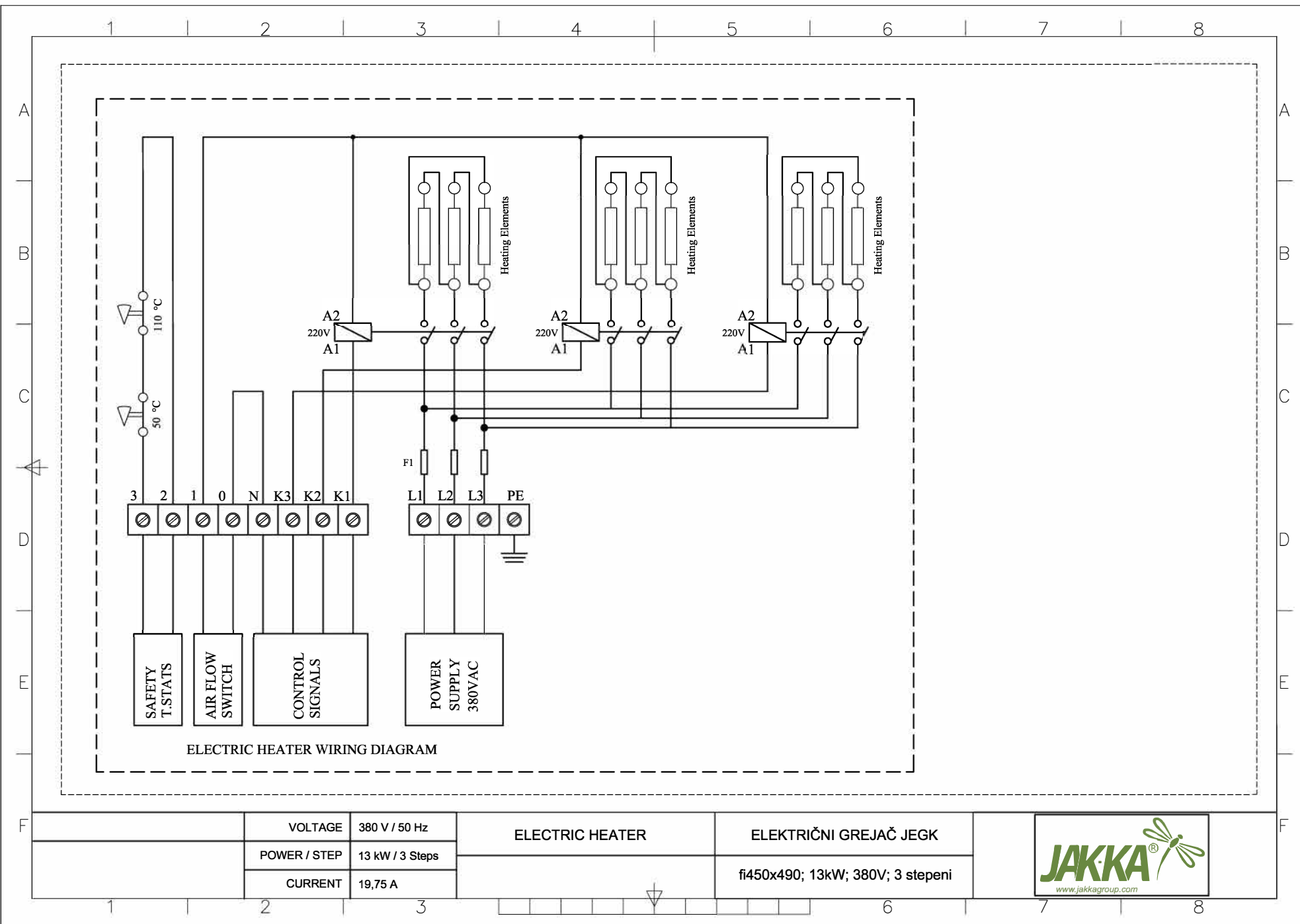




ELECTRIC HEATER WIRING DIAGRAM

	VOLTAGE	380 V / 50 Hz	ELECTRIC HEATER	ELEKTRIČNI GREJAČ JEGK	
	POWER / STEP	10 kW / 2 Steps			fi355x380; 10kW; 380V; 2 stepeni
	CURRENT	15,19 A			

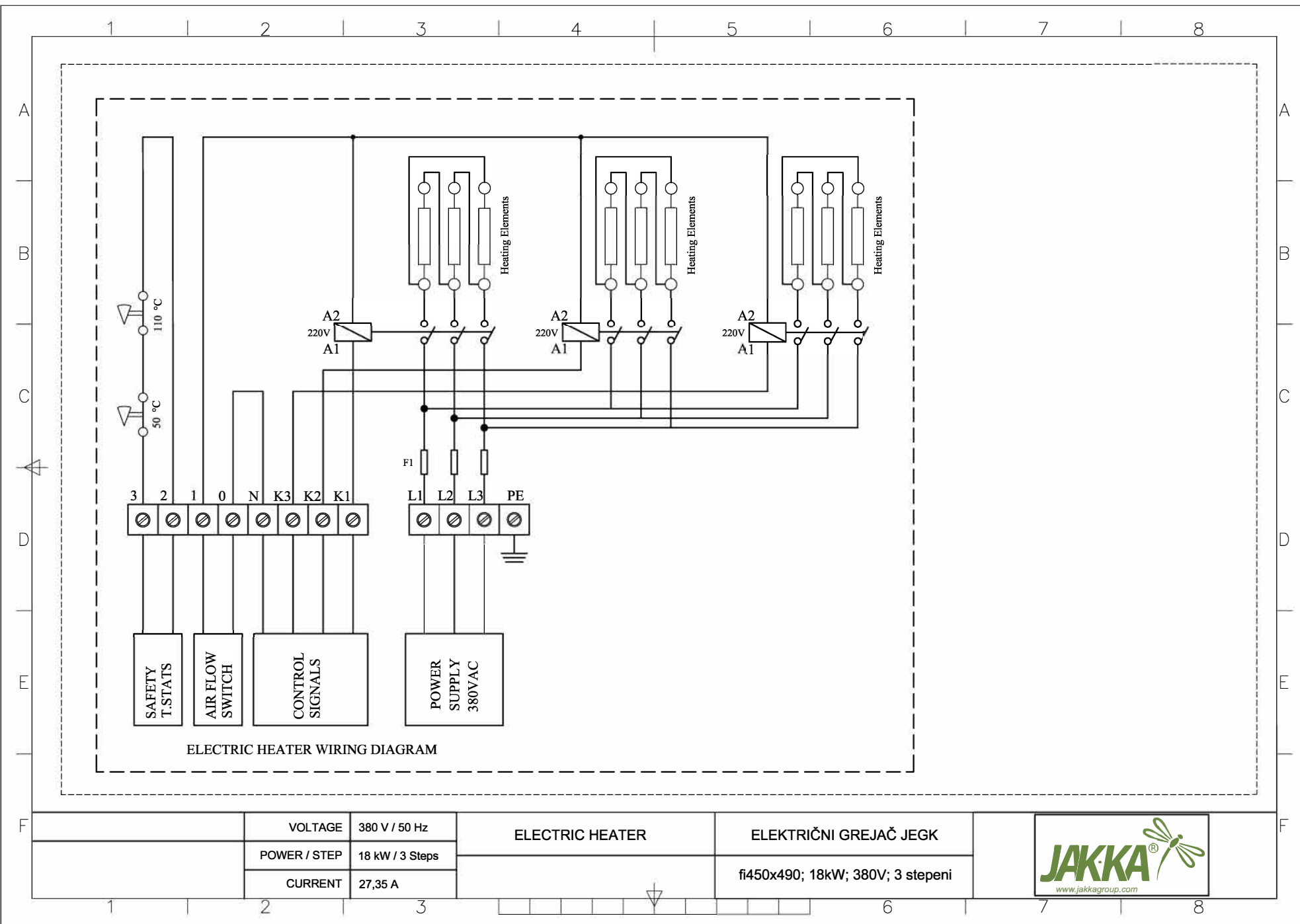




ELECTRIC HEATER WIRING DIAGRAM

	VOLTAGE	380 V / 50 Hz	ELECTRIC HEATER	ELEKTRIČNI GREJAČ JEGK	
	POWER / STEP	13 kW / 3 Steps			fi450x490; 13kW; 380V; 3 stepeni
	CURRENT	19,75 A			





VOLTAGE	380 V / 50 Hz
POWER / STEP	18 kW / 3 Steps
CURRENT	27,35 A

**ELECTRIC HEATER**

**ELEKTRIČNI GREJAČ JEGK**  
fi450x490; 18kW; 380V; 3 stepeni

