

Installation

Checking Product Received

After receiving the product, inspect for any shipping damage. Claims for damage, either apparent or concealed, should be filed immediately with the shipping company.

Check for the model number and electrical properties like power supply, voltage and frequency whether they fit your demand or not.

The installation and operation of the unit must be done as explained in this manual; the utilization of the unit other than those indicated in these instructions is not recommended.

Please contact your local agent for any discrepancy.

Our liability shall not cover any defects arose from the alterations performed by a customer without our written approval.



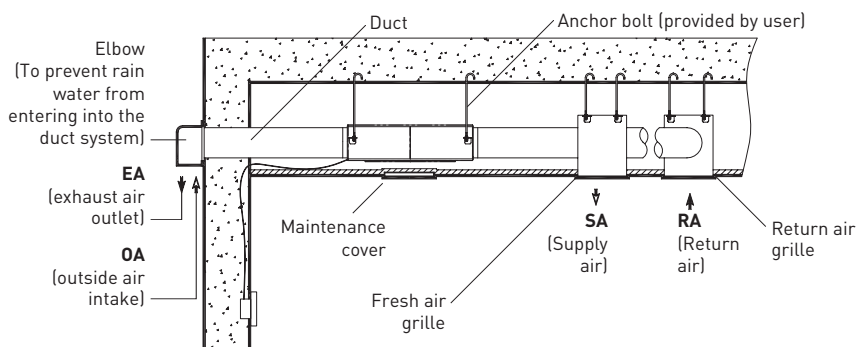
WARNING

- ▶ Do not perform installation work and electrical wiring connection without referring to the Installation and Operational Manual.
 - ▶ Check that the ground wire is securely connected.
 - ▶ Connect a fuse of specified capacity.
-



CAUTION

- ▶ Do not install the unit, remote controller and cable within approximately 3 meters from strong electromagnetic wave radiators.
-



Mounting the Appliance

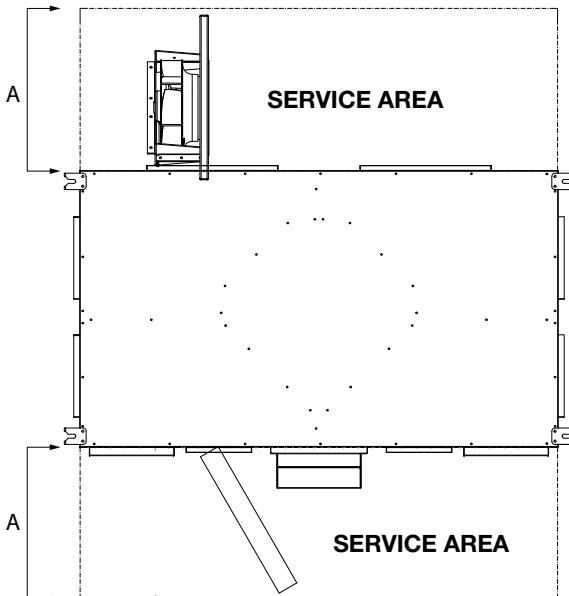
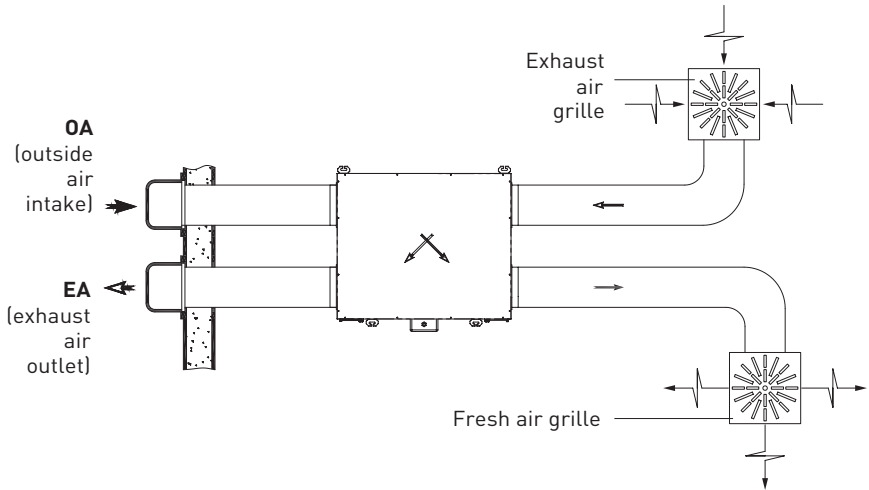
JRHB73 series appliances can directly be mounted on a vibration-free solid wall with the suspension parts supplied for installation purpose. The screws must be applied in a torque enough to secure a rigid connection. The other part is mounted to the wall and used as a hanger to fix the unit. Following aspects must be considered during mounting of the unit.

- 1 The appliance must be mounted level.
- 2 The installation space must be freezing free.

Installation

Connecting the ducts

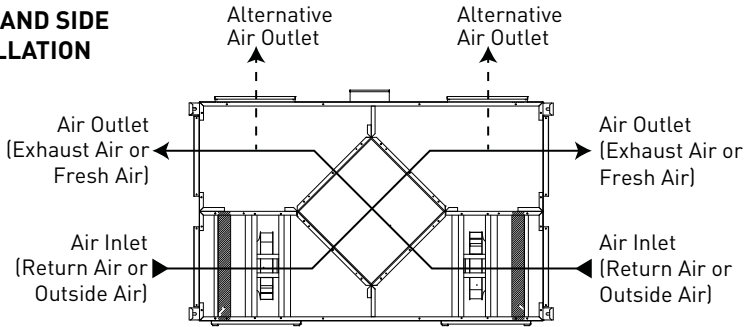
The duct connections in the unit are made of ABS material hence do not need additional insulation. After connecting the unit; make sure that there is no leakage between the duct connections of the unit and the duct. Use a duct tape where necessary.



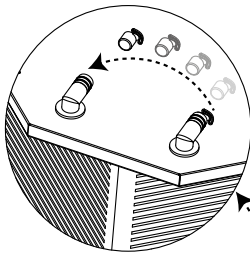
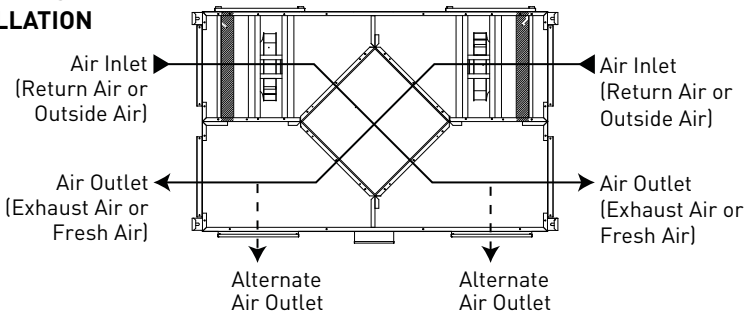
		DIMENSIONS	
MODEL	A		
	mm		
JRHB73	700	355	
	1200	410	
	1500	460	
	2000	510	
	3000	560	
	4000	600	
	5000	600	
6000	660		

Installation

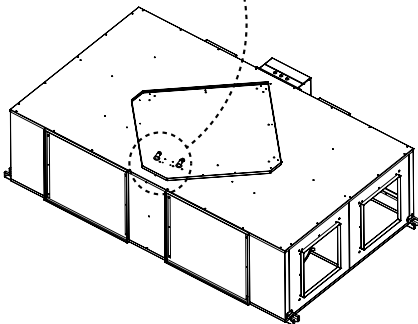
RIGHT HAND SIDE INSTALLATION



LEFT HAND SIDE INSTALLATION



▶ Install the drain plug on the side of the fresh air.



Installation

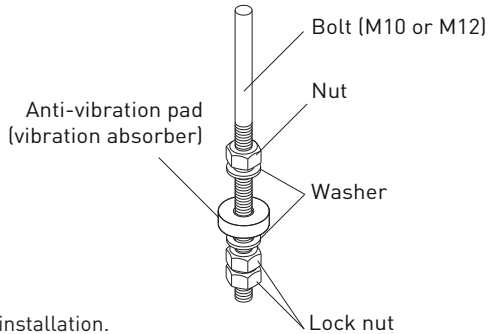


CAUTION

- ▶ Before connecting the ducts, check that no sawdust or any other foreign material (scaps of paper, vinyl, building material etc.) exist in the ducts.
 - ▶ Make sure service doors open easily and fan/ filter can be pulled out.
 - ▶ Pay attention to the warnings before connecting the units to ducts.
-

Preparation of roof bolts

Hang the rubber anti-vibration pad to the bolt and balance the unit so that it remain horizontally. Make sure the unit is attached securely with a lock nut.



CAUTION

- ▶ Control the strength of the bolts before installation.
-



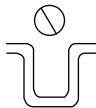
CAUTION

- ▶ Do not install the ducts as shown on the following figures. Doing so will increase the pressure drop, decrease the air volume from the unit and give rise to abnormal sounds.
-

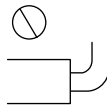
Extremely sharp bends



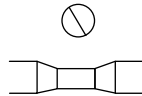
Multiple Bends



Bends right next to the outlet.



Sudden contraction and/or expansions in duct diameter



The distribution ducts should be connected to the unit through rigid or semi flexible ducts in order to avoid abnormal sounds and vibration. Flexible ducts may also be used ensuring that the structure of the duct does not block the air stream and cause vibration. The unit is equipped with pre-drilled duct flanges made of ABS for distribution duct connections.

- 1 Set the supplied ABS-made duct adapter to each duct connection to assure a good junction of the ducts.
- 2 Fit the ducts securely into the duct connection flanges and wind Aluminum tape to prevent air leakages.
- 3 Suspend the ducts from the ceiling so that their weight will not be applied to the unit.
- 4 The outdoor ducts must be covered with heat insulating material in order to prevent forming of condensation.

WARNING

- ▶ Disconnect all electric power, including remote disconnects before servicing. Follow proper lockout / tagout procedures to ensure the equipment cannot be inadvertently energized. Secure drive sheaves to ensure rotor cannot freewheel. Failure to secure drive sheaves or disconnect power before servicing could result in death or serious injury. If there is a heater, wait for the heater to cool.

Filter Maintenance

For best performance, clean up the air filters periodically. Best on every 3 operating months, or at least once per year.

Change filters after cleaning them 6 times, or earlier if necessary.

WARNING

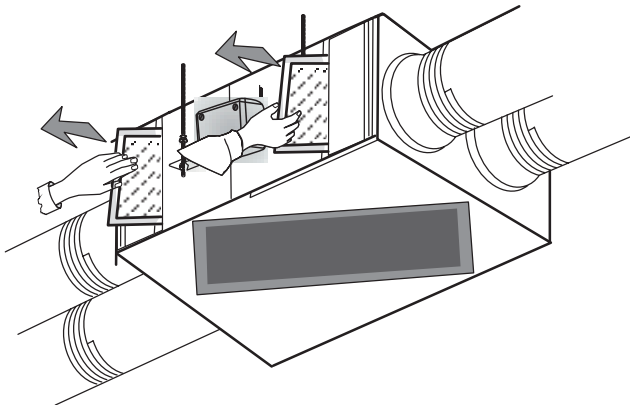
- ▶ Do not start system without air filters properly installed and inspection doors screwed. Otherwise, blockages in heat exchanger may occur.

HOW TO ACCESS FILTERS

STEP 1 ▶ To open the service door, remove out 4 screws on the service cover.

STEP 2 ▶ With the opened service door, the filter service holes for fresh air filter(s) and return air filter will be visible.

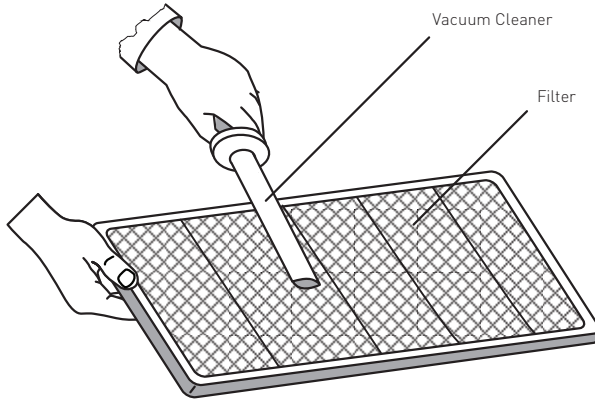
STEP 3 ▶ Remove the filter(s) as shown in the figure and do the maintenance as described in this manual.



Maintenance

i NOTE

- ▶ JAKKA Controllers for this units have a preset timer to monitor filter occupancy according to factory set timer. Remote controller informs the user to check the filters. After the filters are cleaned by the user, filter warning alarm must be reset.



Clean the filter with a vacuum cleaner. To remove dense dust build-ups, prepare a solution with cold water and natural detergent or soap powder and submerge the filter in the solution. Later pull out the filter from the solution and leave it to dry. In any case, do not scrub or apply force on the filter material. After it is completely dry, mount the filter to the unit, close the service door and tighten the screws thoroughly.

i NOTE

- ▶ It may be handy to keep spare clean and dry filters for quick replacement of dirty filters to minimize unit downtime for filter maintenance.

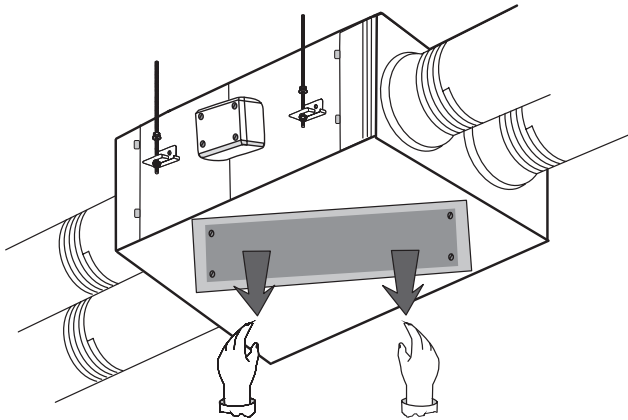
Exchanger Maintenance

For best performance, clean up the air exchanger periodically.
If the filters are maintained regularly, clean exchanger at least once in every two years.

? HOW TO ACCESS EXCHANGER

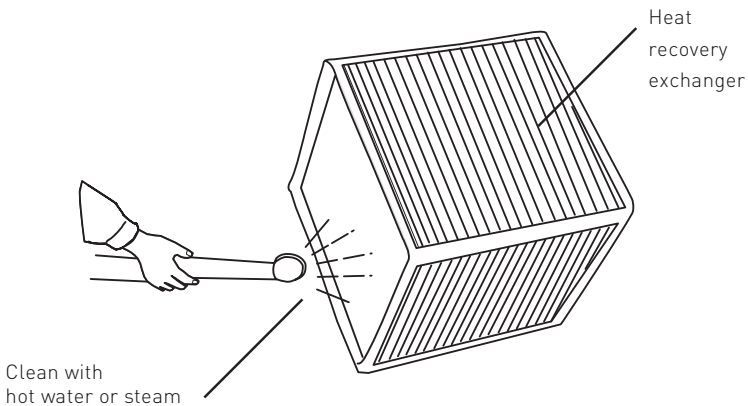
STEP 1 ▶ To open the service cover that is located on the bottom side of unit, unscrew and remove out 4 screws that secure the heat recovery exchanger service cover.

STEP 2 ▶ While performing removal of service cover make sure heat recovery exchanger does not fall down.



i **NOTE**

► Maximum mass of the exchanger is 22 kg.

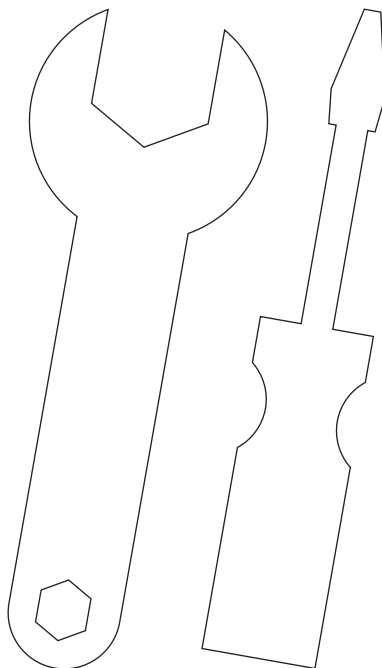


Clean the heat recovery exchanger with hot water or steam. Use natural detergent or soap powder if need be. Leave it to dry after cleaning and mount it to the unit after it is completely dry. Tighten the service cover screws thoroughly and make sure the heat recovery exchanger does not fall down.

Troubleshooting

FAULT	REASON	SOLUTION
FANS DO NOT WORK	a. Power supply off	a. Turn on the power supply
	b. No signal from the control panel	b. Press the correct buttons of the control panel
	c. Incorrect or loose electrical connection	c. Connect connections correctly
	d. Motors in thermal protection mode	d. Check motor current
	*e. No signal from the frequency inverter	*e. Check the error code on the frequency inverter's screen
FANS RETURN TO REVERSE DIRECTION	a. Phase connection is not correct	a. Make the correct phase connection
LOW AIR FLOW	a. Filters clogged or dirty.	a. Change or clean filters
	b. Air duct is clogged	b. Check the air ducts
	c. Channel connections are incomplete.	c. Check the duct system for leaks and complete the connections
HIGH AIR FLOW	a. Channel connections are incomplete.	a. Check the duct system for leaks and complete the connections
	b. Supply voltage is low	b. Measure the current drawn by the motor against overloading
	c. Grilles are not mounted	c. Mount the grilles
	d. Filters are not mounted	d. Mount the filters
DRAINAGE WATER CAN NOT BE DISCHARGED	a. Drainage plugged	a. Clean drain pipe
	b. Incorrect installation of drainage pipe.	b. Mount the drain pipe correctly

***Frequency inverters are accessory (Not included in standart equipment).**



► For Troubleshooting **Please Contact**

Boulevard Zoran Djindjic, 80, 11070 Novi Beograd
Tel: +381 11 2600 901 • Fax: +381 11 2600 906
www.jakkagroup.com • jakkagroup@jakkagroup.com