



Designed to be installed on the fans discharge side. The minimum air speed through the heater must be 1,5 m/s. Maximum air temperature through the heater: 40°C.

The heaters are fitted with:

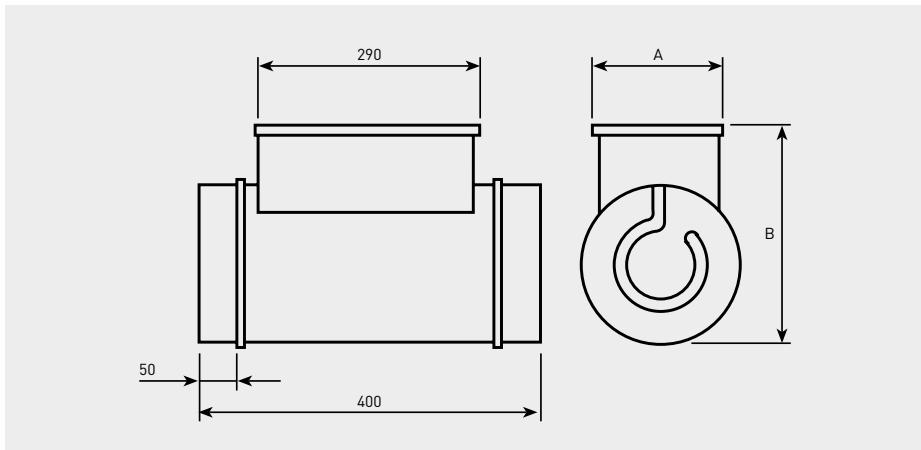
- Electrical heater regulation, incorporated.
- Armoured heating element.
- Double protection circuit to connect to the heater control circuit by means of a safety overheat automatic thermostat connected in series with another safety overheat manual reset thermostat (RESET).
- Wiring box IP43.

For correct operation, it must be installed with a temperature sensor (TG-K, TG-R430 or TG-R530). The temperature sensor installation in the duct TG-K must be a minimum distance of 1 meter between the sensor and the heater.

TECHNICAL CHARACTERISTICS

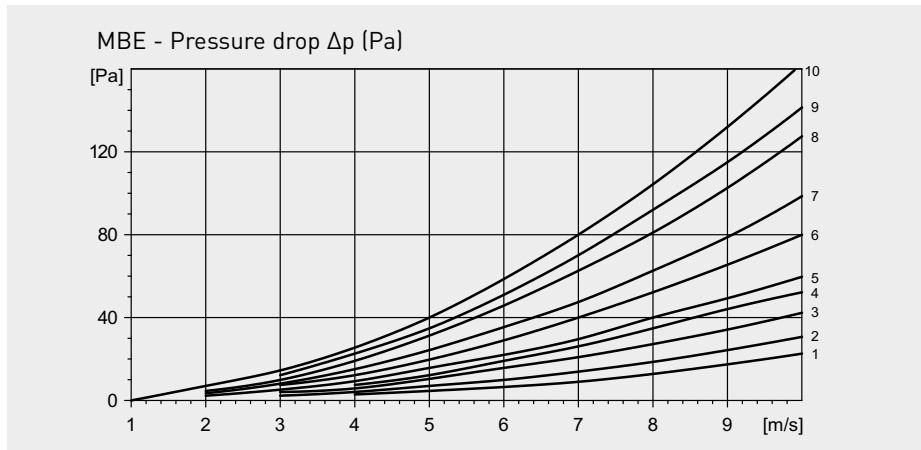
Models	Voltage (V)	Power (W)	Minimum airflow (m ³ /h)	Ø (mm)
MBE-100/04B-R	1/230	400	50	100
MBE-100/08B-R	1/230	800	50	100
MBE-125/04B-R	1/230	400	70	125
MBE-125/08B-R	1/230	800	70	125
MBE-125/12B-R	1/230	1200	70	125
MBE-160/07B-R	1/230	700	110	160
MBE-160/14B-R	1/230	1400	110	160
MBE-160/21B-R	1/230	2100	110	160
MBE-200/20T-R	2/400	2000	170	200
MBE-200/30T-R	2/400	3000	170	200
MBE-200/40T-R	2/400	4000	170	200
MBE-200/50T-R	2/400	5000	170	200
MBE-200/60T-R	2/400	6000	170	200
MBE-250/20T-R	2/400	2000	270	250
MBE-250/30T-R	2/400	3000	270	250
MBE-250/40T-R	2/400	4000	270	250
MBE-250/50T-R	2/400	5000	270	250
MBE-250/60T-R	2/400	6000	270	250
MBE-250/90T-R	3/400	9000	270	250
MBE-315/30T-R	2/400	3000	430	315
MBE-315/60T-R	2/400	6000	430	315
MBE-315/90T-R	3/400	9000	430	315
MBE-315/120T-R	3/400	12000	430	315
MBE-355/60T-R	2/400	6000	540	355
MBE-355/90T-R	3/400	9000	540	355
MBE-355/120T-R	3/400	12000	540	355
MBE-400/60T-R	2/400	6000	680	400
MBE-400/90T-R	3/400	9000	680	400
MBE-400/120T-R	3/400	12000	680	400
MBE-400/150T-R	3/400	15000	680	400
MBE-500/60T-R		6000	1.070	500
MBE-500/90T-R		9000	1.070	500
MBE-500/120T-R		12000	1.070	500

DIMENSIONS (mm)



Model	D
MBE-100	100
MBE-125	125
MBE-160	160
MBE-200	200
MBE-250	250
MBE-315	315
MBE-355	355
MBE-400	400
MBE-500	500

PERFORMANCE CURVES



SELECTION EXAMPLE

- DATA:
- Airflow: 700 m³/h (Q)
 - Temp. of supplied air: 5°C
 - Temp. of exhausted air: 27°C

ELECTRIC HEATER POWER REQUIRED:
 $P = Q \times 0,36 \times \Delta T = 700 \times 0,36 \times 22 = 5544 \text{ W}$

HEATER SELECTION MBE-200/50T-R or
 MBE-250/60T-R (Diagram 2)

- The final selection depends on:
- Total system pressure drop
 - Desired sound level
 - Available space

Model	Curve
100/04B	1
100/08B	7
125/04B	1
125/08B	5
125/12B	6
160/07B	1
160/14B	4
160/21B	5
200/21B	2
200/20T	2
200/30T	4
200/40T	5
200/50T	6
200/60T	7

Model	Curve
200/90T	10
250/20T	1
250/30T	2
250/40T	2
250/50T	4
250/60T	5
250/90T	7
315/30T	1
315/60T	2
315/90T	4
315/120T	5
315/150T	8
355/60T	2
355/90T	3

Model	Curve
355/120T	4
355/150T	7
355/180T	9
400/60T	1
400/90T	2
400/120T	3
400/150T	8
400/180T	10
500/60T	1
500/90T	1
500/120T	2
500/150T	4
500/180T	7

ELECTRIC HEATER ACCESSORIES

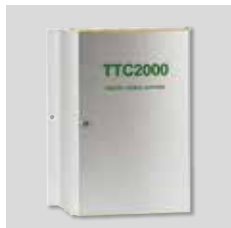
For more information see electrical accessories.



PULSER
Single phase electric heater controller.



TTC-25 and TTC-40F
Three phase electric heater controller.



TTC-2000
Three phase electric heater controller.



TTS-1
Additional PCB to increase the output power controlled.



TG-R
Room temperature sensor.
TG-R430: Adjustable
TG-R530: Not adjustable



TG-K
Duct temperature sensor.



PRESOSTATO DPS
Differential pressure switch.



TBI-10 / TBI-30
External potentiometer.



TTS-4
Module to increase the controller power TTC-40F, up to 66kW.



TRAF0-15D
Transformer to power the TTS-4 to 24V.