



Features

Range of connection diameters, 100 to 500 mm.
Galvanised steel housing.
Heaters with copper pipes and aluminium fins.
Removable side for maintenance purposes.
Can be mounted horizontally or vertically.
Connections with watertight seals.
Connection must be made between the heater and the hot water circuit.
Maximum pressure: 10 bar.
Maximum temperature: 100°C.
Shut-off valves must be installed on each water connection, so that the unit can be isolated if necessary (for cleaning filters, repairs, etc.) without the need to drain the entire circuit.
We recommend installing a filtration box with a filter (MFL-F + MFR) at the input to the unit, to capture water borne debris.

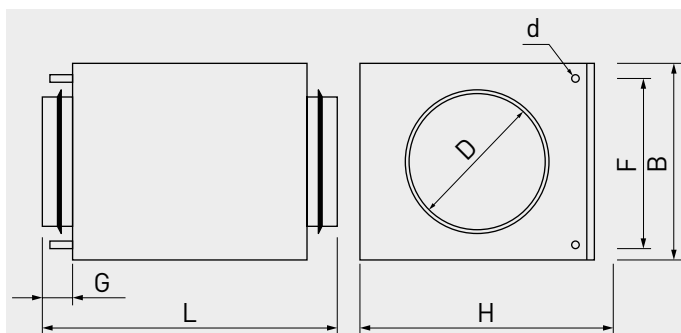
TECHNICAL CHARACTERISTICS / ACCESSORIES

Model	Air data					Water data		Weight (kg)	Accessories	
	Heating power		Air		Airflow	Pressure drop	Airflow		Manual temperature control	Anti-frost thermostat
	(kW) ¹	(kW) ²	(K) ¹	(K) ²	(m ³ /h) ^{1,2}	(kPa) ¹	(l/h) ¹			
MBW-100	1,7	1,0	33	18	150	1	70	5,8	TRW	THE-F
MBW-125	2,1	1,2	29	17	220	1	90	5,8	TRW	THE-F
MBW-160	4,6	3,0	39	25	360	4	200	7,7	TRW	THE-F
MBW-200	6,1	4,0	32	21	560	7	270	7,7	TRW	THE-F
MBW-250	9,7	6,2	32	20	900	4	430	9,6	-	-
MBW-315	16,6	10,9	35	23	1.400	6	730	11,9	-	-
MBW-355	22,3	14,9	36	24	1.800	9	980	14,5	-	-
MBW-400	25,6	16,9	34	22	2.300	9	1.130	20,5	-	-
MBW-450	36,7	24,8	37	25	2.900	16	1.610	20,3	-	-
MBW-500	41,1	27,6	34	23	3.500	17	1.810	20,5	-	-

The data provided refers to an outdoor temperature of 0°C and input/output temperatures of: ¹ 80/60°C, ² 60/40°C.

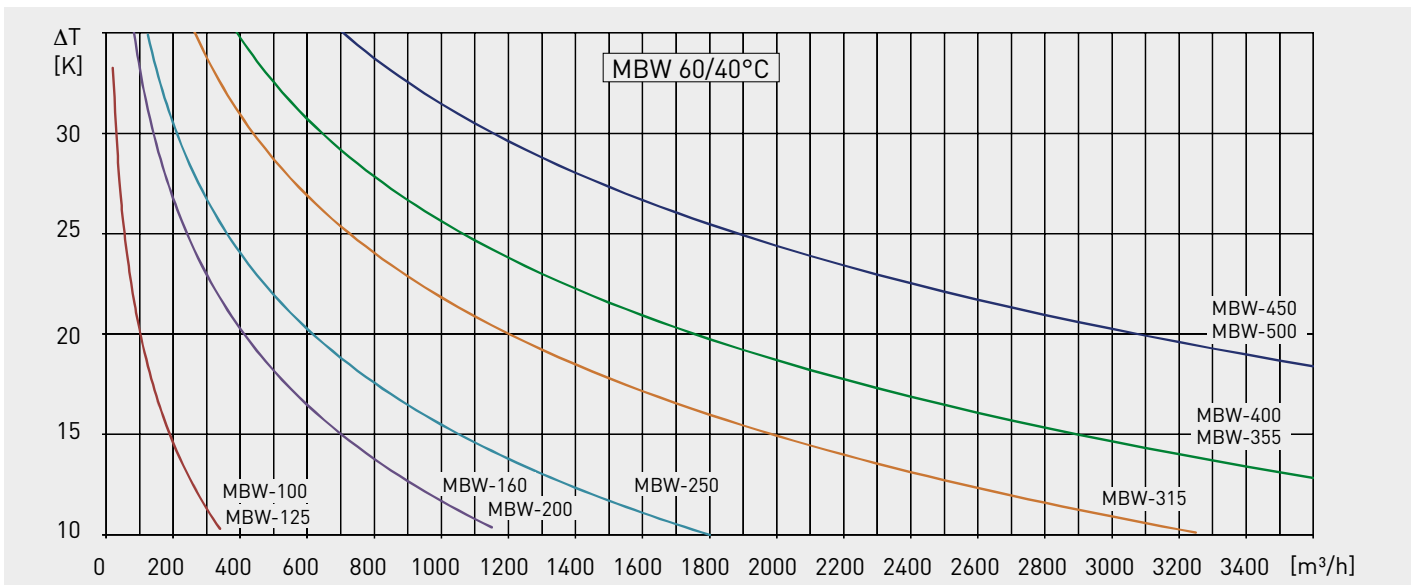
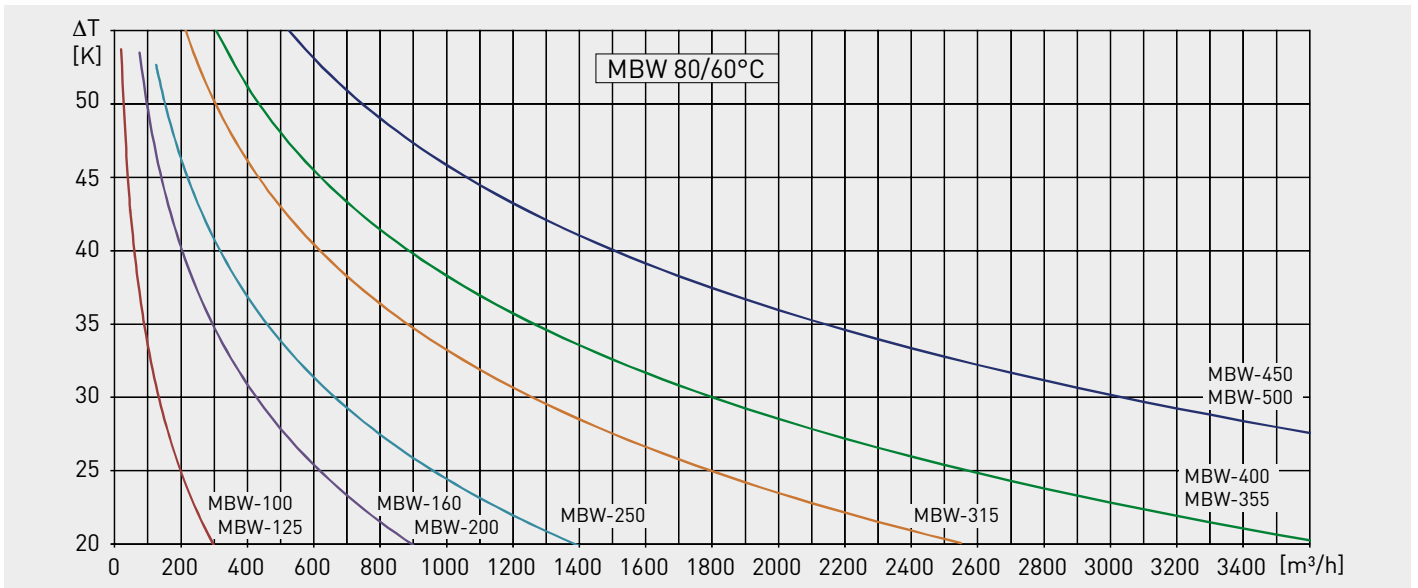
* Only necessary when the pump cannot be connected via the operating boiler.

DIMENSIONS (mm)

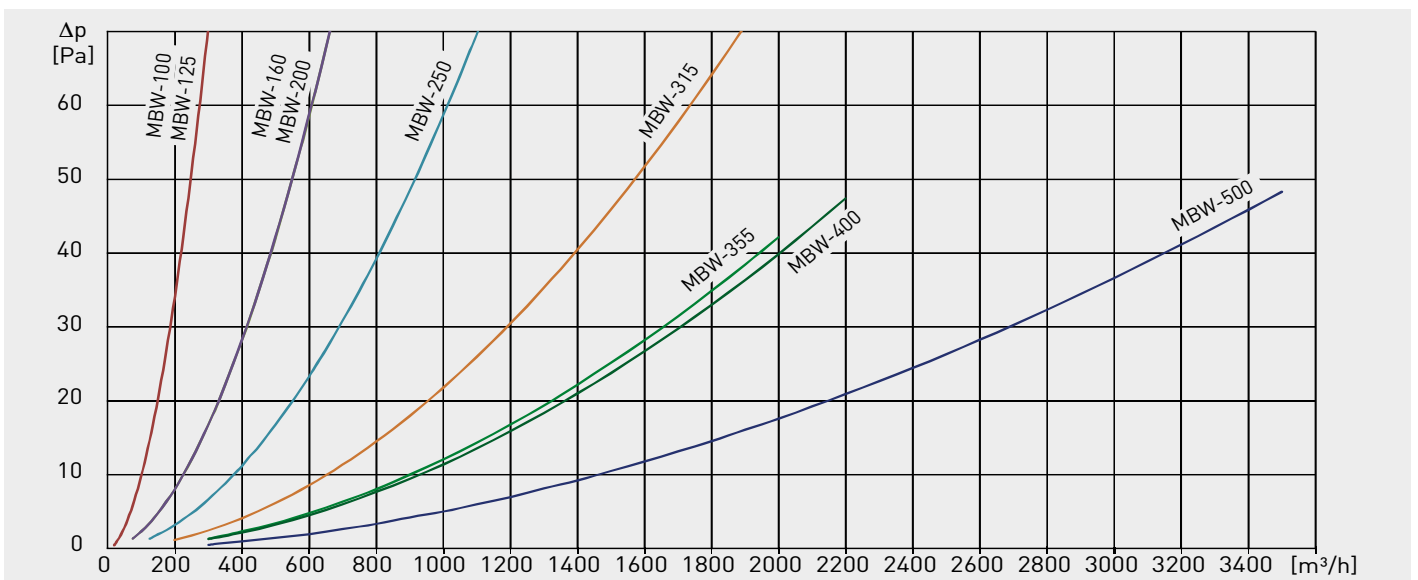


Model	D	B	H	d	F	G	L
MBW-100	100	183	225	10	140	40	380
MBW-125	125	183	225	10	140	40	380
MBW-160	160	258	305	10	215	40	380
MBW-200	200	258	305	10	215	40	380
MBW-250	250	333	385	22	290	40	380
MBW-315	315	408	460	22	365	40	380
MBW-355	355	479	534	22	400	65	430
MBW-400	400	479	534	22	400	65	430
MBW-450	450	529	685	22	425	65	465
MBW-500	500	529	685	22	425	65	465

AIR TEMPERATURE INCREASES ΔT (°C)



PRESSURE DROP Δp (Pa)



ACCESSORIES MBW

For more information see electrical accessories.



TRW
Temperature control unit.



THE 16/4 A
Adjustable exterior thermostat, surface application.



THE-F
Thermostat with anti-frost capillary.



DPS
Differential pressure switches to check the good conditions of the filters or coils.